

R7s lampholder for lamps
with 74.9 mm rated Z

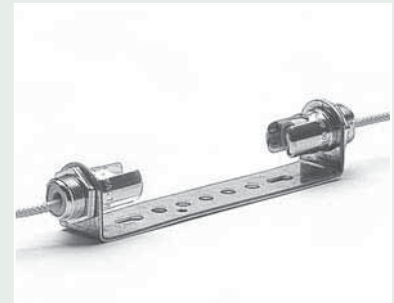
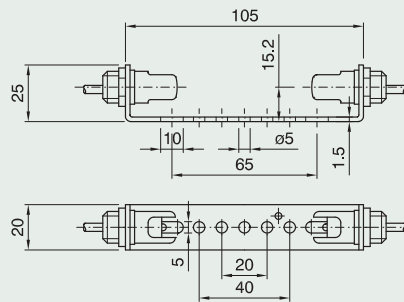
Connection: metal bracket with
through holes for M4 screws

Cable finishing: with brass ferules

Packaging: 100 pieces

code 010140 SIV75 cable length 25 cm

5100/SQ54/SIV75/25/MIPDE/AL



R7s lampholder for lamps
with 114.2 mm rated Z

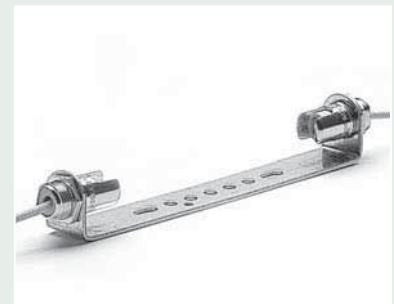
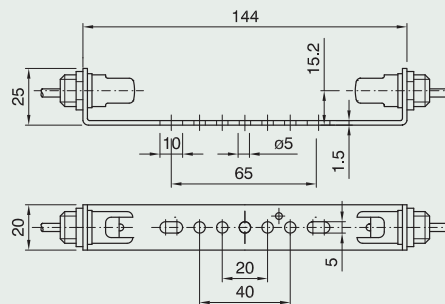
Connection: metal bracket with
through holes for M4 screws

Cable finishing: with brass ferules

Packaging: 100 pieces

code 009241 SIV75 cable length 25 cm

5100/SQ53/SIV75/25/MIPDE/AL



R7s lampholder for class II applications
with metal nut

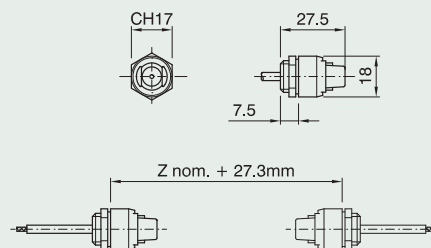
Connection: on template using M14x1 nut (see
drawing and table for Z dimension)

Cable finishing: with brass ferules

Packaging: 500 pieces

code 028395 double insulation cable FPPF20
length 25 cm

5120/DF/FPPF20/25+DADO/SMIPDE/AL



R7s lampholder for lamps with 74.9 mm
rated Z on class II applications

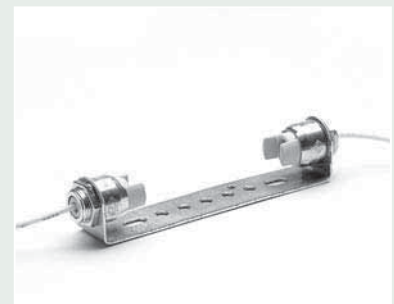
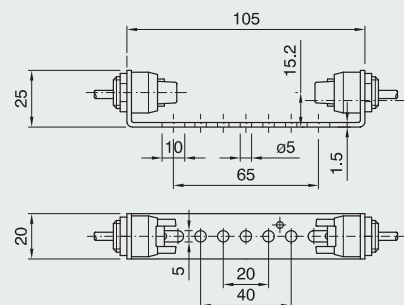
Connection: metal bracket
with through holes for M4 screws

Cable finishing: with brass ferules

Packaging: 100 pieces

code 019929 double insulation cable FPPF20
length 25 cm

5120/SQ54/FPPF20/25/MIPDE/AL



R7s lampholder for lamps with 114.2 mm
rated Z on class II applications

Connection: metal bracket
with through holes for M4 screws

Cable finishing: with brass ferules

Packaging: 100 pieces

code 019930 double insulation cable FPPF20
length 25 cm

5120/SQ53/FPPF20/25/MIPDE/AL

