

Working with the TOOLbox pro and FluxTool application - TLU20504 and TLU20505


Use the TOOLbox pro and the FluxTool application to perfectly match your driver to your application. This quick start guide shows you how to go about it.

What you will need to get started

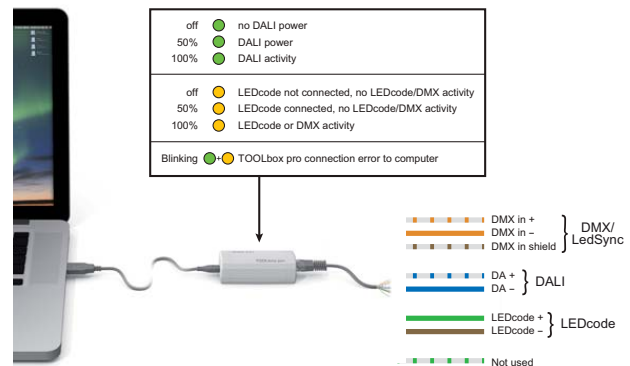
- 64-bit Microsoft Windows Vista, 7 or 8; or Mac OS X 10.9 or 10.10
- TOOLbox pro (TLU20504 and TLU20505). Cables are included.
- FluxTool v4.5.27 application: download at your driver product page or the TOOLbox pro product page.


1. Installing the FluxTool application

- Windows: Run the FluxTool setup. After the installation, make sure to also install the TOOLbox driver.
- MAC OS: Drag the FluxTool icon into your applications folder.

 CAUTION: TOOLbox pro has not been designed for direct connection to a main outlet.

2. Connecting the TOOLbox pro



 In order for the FluxTool application to detect the LED driver, the driver must be powered on. Never connect more than one driver at a time.

TOOLbox pro for AC powered driver programming

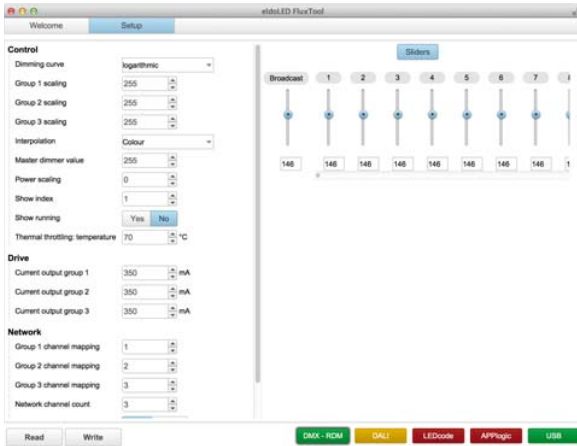


TOOLbox pro and TOOLbox adapter for non-AC powered driver programming



	TOOLbox pro TLU20504	TOOLbox adapter for mainsless programming TLA20501	TOOLbox pro TLU20505	TOOLbox adapter for mainsless programming TLA20502	
Product Family	ECOdrive SFF	no	no	yes	
	SOLOdrive SFF	no	no	yes	
	ECOdrive	yes (excluding DC2DC option)	yes (excluding DC2DC option)	yes (excluding DC2DC option)	yes (excluding DC2DC option)
	SOLOdrive	yes	yes	yes	yes
	DUALdrive	yes	yes	yes	yes
	POWERdrive	yes (excluding DC option)	yes (excluding 50W)	yes (only for 50W)	no
	DUTYdrive	yes	yes	yes	yes
	LINEARdrive	yes (only for limited DC & AC DALI/DMX options)	yes (only for limited DC & AC DALI/DMX options)	yes (only for limited DC options)	yes (only for limited DC options)

3a. Configuration and control via DMX menu



DMX menu

When starting the FluxTool software, a Welcome screen is shown first. In this screen you can see if the TOOLbox pro is correctly connected to your LED driver and computer, and your driver is identified.

Parameter configuration

You can finetune your driver with the DMX parameters:

1. Open the Setup tab to download your driver's current settings to your FluxTool screen.
2. Make any required changes in the appropriate fields and click the "Write" button at the bottom to save the changes to the driver.



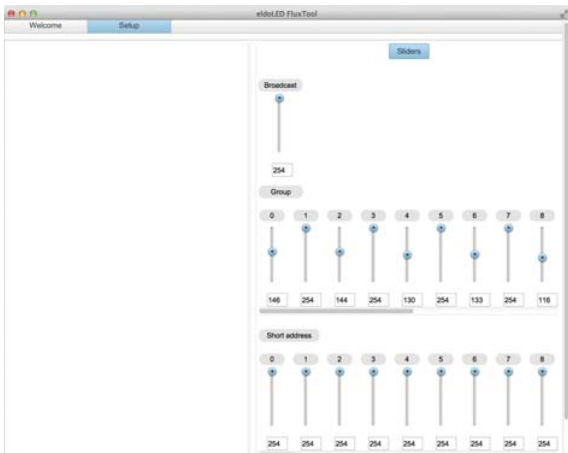
Only make changes you are sure of. Some parameters can cause damage to LEDs when set to an incorrect value.

For a full description of all available DMX parameters, refer to Addendum sheet DMX/LedSync parameters.

Sliders

The FluxTool application features one Broadcast slider and 512 DMX address sliders to test the settings on your luminaire.

3b. Control via DALi menu in the Setup tab



DALI menu

Use the DALI menu to test your DALI compatible luminaire. The FluxTool's DALI menu does not have any DALI configuration or commissioning capabilities.



Do not use this application as a DALI controller.

The DALI tab features several sliders:

Broadcast

Lets you set the same intensity for all DALI groups in one go.

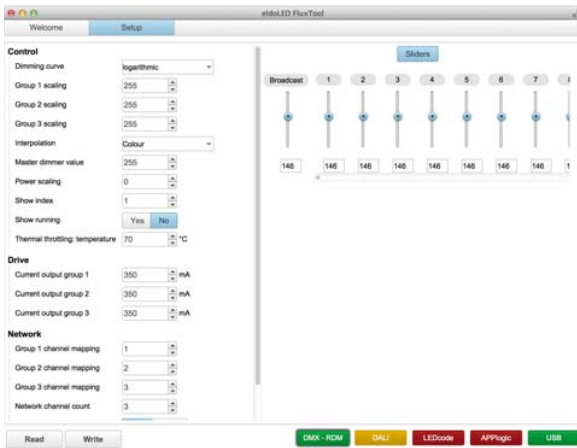
DALI Group 0-15

Lets you set the intensity of the DALI groups. These groups are not equivalent to your driver's LED output groups, but refer to the DALI groups that your LED driver is associated with.

DALI Short Address 0-63

Lets you set the intensity of the DALI Short addresses.

3c. Configuration and control via LEDcode menu



LEDcode menu



At start-up, the settings are read from the driver. However, when you connect a different LED driver, you do need to refresh the settings: click the Read button at the bottom.

The LEDcode tab lets you set:

Drive: Current output group

Lets you set the output current for each LED output individually. Changes are saved to LED driver when the Write button is pressed.

Dimming curve

Lets you select a dimming curve to optimize dimming performance by attuning the dimming curve to the dimmer type.

Minimum dimming level

Allows you to set a minimum dimming level. The range within which you can set this value depends on your LED driver.

NTC throttling temperature

Lets you set the throttling temperature of the connected thermistor (optional).

To load the actual driver settings into your FluxTool screen, click the Read button. To save new settings to the driver for Dimming curve, Minimum dimming level and NTC temperature, click the Write button. The slider at the right-hand side lets you mimick a broadcast setpoint to the connected LED driver.

Europe, Rest of World

eldoLED B.V.
Science Park Eindhoven 5125
5692 ED Son
The Netherlands

E: support@eldoled.com
W: www.eldoled.com

North America

eldoLED America
One Lithonia Way
Conyers, GA 30012
USA

E: support@eldoled.com
W: www.eldoled.com

Compatible combinations of TOOLbox pro versions, FluxTool versions and LED driver families

		Software			
		ShowMaster	FluxTool v2.0.93	FluxTool v4.0.4 and higher	FluxTool v4.6.x or higher (including SFF)
Hardware	TOOLbox pro (TLU20504)	—	■	■	—
	TOOLbox pro (TTLU20504) with TOOLbox adapter (TLA20501)	—	—	■	—
	TOOLbox pro for SFF (TLU20505)	—	—	—	■
	TOOLbox pro for SFF (TLU20505) with TOOLbox adapter (TLA20502)	—	—	—	■

		Drivers						
		POWERdrive Family	LINEARdrive Family	ECOdrive Family	SOLOdrive Family	DUALdrive Family	PCB Products	Small Form Factor (SFF)
Hardware	TOOLbox pro (TLU20504)	■	■	■	■	■	■	—
	TOOLbox pro (TTLU20504) with TOOLbox adapter (TLA20501)	—	—	■	■	■	—	—
	TOOLbox pro for SFF (TLU20505)	■	■	■	■	■	—	■
	TOOLbox pro for SFF (TLU20505) with TOOLbox adapter (TLA20502)	—	—	■	■	■	—	■
Software	ShowMaster	■	■	—	—	—	■	—
	FluxTool v2.0.93	—	—	—	—	—	■	—
	FluxTool v4.0.4 and higher	■	■	■	■	■	—	—
	FluxTool v4.6.x and higher (including SFF)	■	■	■	■	■	—	■ ¹

¹ SFF driver can only be programmed using the TOOLbox pro (TLU20505) and TOOLbox adapter (TLA20502).

		Old		New	
		TOOLbox pro TLU20504	TOOLbox adapter for mainsless programming TLA20501	TOOLbox pro TLU20505	TOOLbox adapter for mainsless programming TLA20502
Product Family	ECOdrive SFF	no	no	yes	yes
	SOLOdrive SFF	no	no	yes	yes
	ECOdrive	yes (excluding DC2DC option)	yes (excluding DC2DC option)	yes (excluding DC2DC option)	yes (excluding DC2DC option)
	SOLOdrive	yes	yes	yes	yes
	DUALdrive	yes	yes	yes	yes
	POWERdrive	yes (excluding DC option)	no (excluding 50W)	yes (only for 50W)	no
	DUTYdrive	yes	yes	yes	yes
	LINEARdrive	yes (only for limited DC and AC DALI/DMX options)	no (only for limited DC and AC DALI/DMX options)	yes (only for limited DC options)	no (only for limited DC options)

Europe, Rest of World

eldoLED B.V.
Science Park Eindhoven 5125
5692 ED Son
The Netherlands

E: support@eldoled.com
W: www.eldoled.com

CO2080038-001-00

© 2023 Acuity Brands Lighting, Inc. Specifications subject to change without notice. Actual performance may differ as a result of end-user environment and application.

North America

eldoLED America
One Lithonia Way
Conyers, GA 30012
USA

E: nasupport@eldoled.com
W: www.eldoled.com