

LAMPHOLDERS FOR INCANDESCENT HALOGEN LAMPS

A60A



Lampholder whose creepage and clearance distances allow the use in class II fixtures with working voltage up to 250V, if connected with double or triple insulated cables (ref. standard EN 60598.1).

Solid fixing steel structure, independent from the body, which allows to carry out quick and safe fixing of the lampholder. This solves the problem of the easy breaking, during the fixing process, of the existing lampholders.

- Steatite body.
Contacts in special alloy.
Retaining springs in stainless steel.
- Weight of the lampholder in standard execution (with cables L = 25 cm): 10 g.

- Instructions to fix the lampholder on structures: snap-in fixing on the support bracket inserted in the accessories presented in the following pages.

PATENTED

Lampholder:	G9
Rated voltage:	250 V
Rated current:	2 A
Working temperature (*):	T 250°C for A60A T 200°C for A60AY
Connected cables working temperature:	T 105° ÷ 250°C
In conformity to the standards:	UL 496 CSA 22.2 N.43
Approval marks:	cURus

A60A: version with working temperature T 250°C.
A60AY: version with working temperature T 200°C.

Single-conductor flexible connecting cables crimped to the lampholder:

Insulation	T in °C	Conduct.	Available voltages and AWG		
			300V	600V	18AWG
Silicone Single insulation	200	CuSn		•	•
FEP Single insulation	200	CuNi	•	•	•
FEP+FEP Double insulation	200	CuNi	•		•
PTFE Single insulation	250	CuNi	•	•	•
PTFE+PFA Double insulation	250	CuNi	•		•

Attention: in the end product the cables connected to this lampholder should not be accessible during the normal replacement operations of the lamp (if accessible a cord-grip device should be provided).

FOR NET TENSION 110 - 250V

A60A

1999



PATENTED

Lampholder:
G9

Rated voltage:

250 V

Rated current:

2 A

Working temperature:

T 280°C

Connected cables

working temperature:

T 105°÷ 250°C

Overvoltage category:

III

Protection degree (IP):

IP20

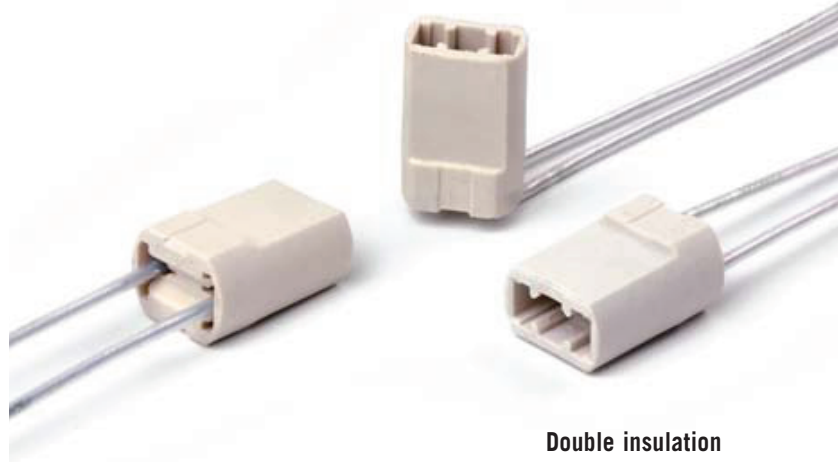
In conformity to the standards:

EN 60838-1

 In conformity to the requirements
 of the directive:

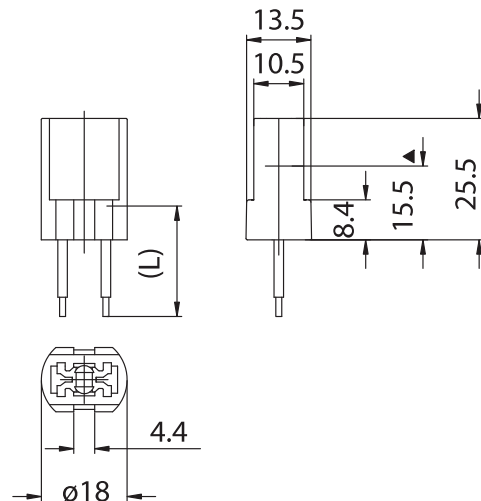
2006/95/EC

Approval marks:

**ENEC 03
CQC**

Double insulation

 Single-conductor flexible connecting cables
 crimped to the lampholder:

Insulation	T in °C	Conduct.	Available sections in mm ²			
			0,50	0,75	1,00	1,50
Silicone <i>Single insulation</i>	180	CuSn	•	•	•	
Silicone+glass-braid <i>Single insulation</i>	180	CuSn	•	•		
FEP <i>Single insulation</i>	180	CuSn	•	•	•	
FEP+FEP <i>Double insulation</i>	180	CuSn	•	•	•	
FEP+FEP+FEP <i>Triple insulation</i>	180	CuSn	•	•		
PTFE <i>Single insulation</i>	180	CuSn	•	•	•	
PTFE <i>Single insulation</i>	250	CuNi	•	•	•	
PTFE+PTFE <i>Double insulation</i>	250	CuNi	•	•	•	
PTFE+PFA <i>Double insulation</i>	250	CuNi		•	•	
PTFE+PFA+PFA <i>Triple insulation</i>	250	CuNi		•		
PFA <i>Single insulation</i>	260	CuNi	•	•	•	
PFA+PFA <i>Double insulation</i>	260	CuNi	•	•	•	



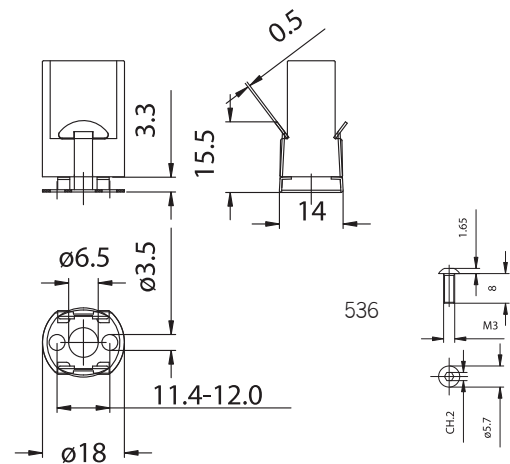
▲ Reference plane

319



PATENTED

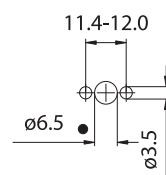
Double insulation



319: support bracket, for lampholders A60A and A66, in steel, with fixing slotted holes diameter 3,2 mm with center distance 11,4 - 12,0 mm.

Available screws M3 x 8 mm with rounded hexagonal head, diameter 5,7 mm, key 2 mm, in white zinc-plated steel (art. 536).

- Weight: 2 g.
- Instructions to fix the bracket on the structure.



- Suggested minimum dimension for cables passage (if necessary)

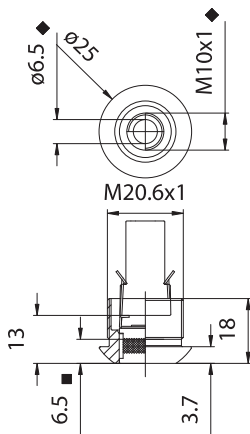
- Bracket fixing by holes diameter 3,2 mm with center distance 11,4 -12 mm.
- Snap-in fixing to the lampholders.

333



PATENTED

Double insulation



◆ M8 x1 - \varnothing 4,8 mm ■ Thread depth

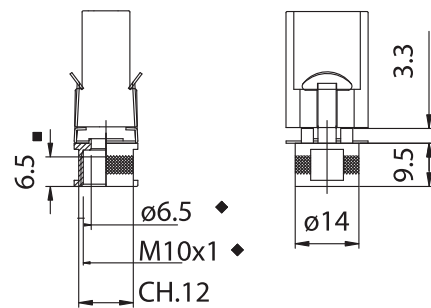
333: adapter, for lampholders A60A and A66, in nickel-plated brass, with external thread M20,6 x1, ledge 25 mm, and threaded hole M10 x1.

333Z - 333AZ: version equipped with M3 dowel, without head, for nipple-block.

320



Double insulation

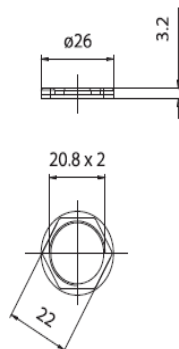


◆ M8 x1 - \varnothing 4,8 mm ■ Thread depth

320: female nipple, for lampholders A60A and A66, in nickel-plated brass, with threaded hole M10 x1.

320Z - 320AZ: version nipple equipped with M3 dowel, without head, for nipple-block.

334: Ring for adapter 333Z



- Fixing of the adapter by threaded nipples.
- Snap-in fixing to the lampholders.

- Fixing of the adapter by threaded nipples.
- Snap-in fixing to the lampholders.