

Electrical Specification for **LTDC50W1500NLRP UNI**

DALI-2 Control NFC LED Driver



Approval Marks



| | Item | Value | Remark |
|-----------------------|----------------------------------|--|--|
| Input | Nominal voltage | 120 - 277 V | |
| | Nominal frequency | 50 - 60 Hz | |
| | AC voltage range | 108 - 305 V | |
| | DC voltage range (start) | NA | |
| | DC voltage range (operation) | NA | |
| | Nominal current | 500 mA | Full load @120VAC |
| | Total Harmonic Distortion (THD) | < 10 % | Full load @120/230VAC |
| | Power factor | 0.95 | Full load @120/230VAC |
| | Displacement factor | 0.95 | Full load @120/230VAC |
| | Efficiency | 88 % (Typ.) | Full load @230VAC(1000mA/50V) |
| | No-load power | NA | |
| | Stand-by power | < 0.3 W | |
| | Networked standby power | < 0.3 W | |
| | Protection class | NA | |
| | Inrush current | 30 A / 30 us | Full load @277VAC |
| Earth leakage current | NA | | |
| Output | Nominal voltage range | | |
| | 500-1000mA | 20 - 50 Vdc | |
| | 1100mA | 20 - 45.45 Vdc | |
| | 1200mA | 20 - 41.67 Vdc | |
| | 1300mA | 15 - 36 Vdc | |
| | 1400mA | 15 - 33 Vdc | |
| | 1500mA | 15 - 30 Vdc | |
| | Maximum voltage | 60 Vdc | |
| | Output channels | 1 | |
| | Nominal current range | 500 - 1500 mA | Adjusted via NFC program Factory default 500mA |
| | Current accuracy | ± 5 % | Full load @120/230VAC |
| | Typical output LF current ripple | ± 2.5 % | Low Frequency < 120Hz Full load @230VAC |
| | Starting time | < 0.75 S | Full load @120VAC |
| | | < 1 S | Full load @230VAC |
| | SVM | ≤ 0.4 | Full load @230VAC |
| P _{stLM} | ≤ 1 | Full load @230VAC | |
| Nominal power range | 10 - 50 W | | |
| Maximum power | 50 W | | |
| Color tuning range | NA | | |
| Dimming | Dimming control | DALI/Touch-Dim | |
| | Dimming range | 0.1-100% | see the dimming curve |
| | Lowest dimming current | 0.05-0.15% | @V _o =35Vdc |
| | Dimming technique | Hybrid Dimming | O/P current ≥ 200 mA operated @ Amplitude mode O/P current < 200 mA operated @ PWM mode |
| | PWM frequency | 1000 HZ | |
| | Galvanic isolation | Basic insulated to PRI and double insulated to SEC | |

| Item | Value | | Remark |
|-----------------------------------|---|---|--|
| Environment | Ambient temperature range t _a | - 20 °C - + 50 °C | |
| | Maximum case temperature t _c | 85 °C | |
| | Max. case temp. in fault condition | 110 °C | When operating under fault conditions, the temperature of the enclosure at any location should not exceed 110 °C |
| | Storage temperature range | - 40 °C - + 85 °C | |
| | Relative humidity | 10 % - 95 % | |
| | Surge transient protection | 1 kV | L/N |
| Environment | Environmental rating | Indoor | |
| | IP rating | IP20 | |
| | Mains switching cycles | > 100,000 | |
| | Expected lifetime | | |
| | Full load 45W-50W | > 50,000 h, t _c 85 °C @ t _a 50 °C | 0.2 % / 1,000 h failure rate |
| Output load ≤ 35W | > 50,000 h, t _c 85 °C @ t _a 60 °C | 0.2 % / 1,000 h failure rate | |
| Packing | Gross weight/box | 18.3 kg | |
| | Net weight/box | 17 kg | |
| | Pcs/box | 54 PCS | Built-in |
| | | PCS | independent |
| Dimension/box | 385 (L) * 310 (W) * 260 (H) mm | | |
| Protections | | | |
| Short-circuit Protection | Auto recovery | | |
| Open-circuit Protection | Auto recovery | | |
| Overload Protection | Auto recovery | | |
| Conformity & Standards | | | |
| Safety standard: | EN 61347-1, EN 61347-2-13, EN 62493 | | |
| Performance: | EN 62384 | | |
| EMC standard: | EN 55015, EN 61000-3-2, EN 61000-3-3, EN 61547 | | |
| DALI protocol standard: | EN62386-101 , EN62386-102 , EN 62386-207(DT6) | | |
| Cable information | PRI Connection | | |
| | Cable cross-section | 0.5 - 1.5 □ / AWG | 20 - 16 |
| | Stripping | 9 mm | |
| | SEC Connection | | |
| | Cable cross-section | 0.5 - 1.5 □ / AWG | 20 - 16 |
| | Stripping | 9 mm | |
| Cable information | DALI Connection | | |
| | Cable cross-section | 0.5 - 1.5 □ / AWG | 20 - 16 |
| Stripping | 9 mm | | |
| Terminal | PRI- | Push button/Angled Entry | |
| | SEC- | Push button/Angled Entry | |
| | DALI- | Push button/Angled Entry | |

Subject to change without notice, HEP guarantees all products perform functionally well

* If not mentioned, all the test conditions are based on full load at 120/230VAC input (for 120-277 VAC input).

Current adjustable

Output current/Color temperature can be adjusted by NFC reader and APP

NFC Reader (optional)

Feature:

Easily on-line read a output current from a driver or write a new current data to a driver throughout HEP NFC reader within few seconds.



NFC APP

Feature:

Quickly check output current of a LED driver simply via Android smart phone, as well as, correct or setup a new current data immediately with no extra equipment at any job site.

ICON



Main



QR Code

Google play



APK



Android 6.0 Up
Smart phone with a NFC function

Electrical Values

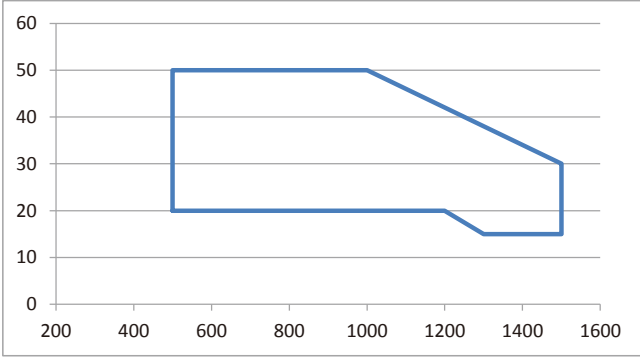
Output Power Range

| Output Current (mA) | Output Voltage Range (V) | Output Power Range (W) |
|---------------------|--------------------------|------------------------|
| 1500 | 15-30 | 22.5-45.0 |
| 1400 | 15-33 | 21.0-46.2 |
| 1300 | 15-36 | 24.0-50.0 |
| 1200 | 20-41.67 | 24.0-50.0 |
| 1100 | 20-45.45 | 22.0-50.0 |
| 1000-500 | 20-50 | 10.0-50.0 |

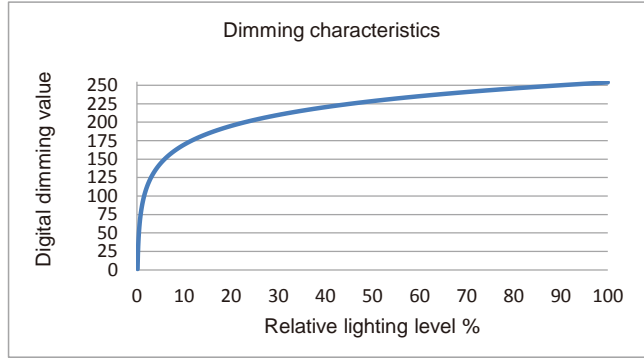
* Upon client's special demand, customized current range in between 500 mA and 1500 mA could be specified as factory default from shipment. This default current range available revised again via NFC reader program at client's site, if necessary.

V/I Curve

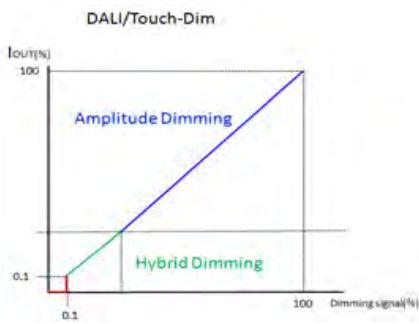
Output Power Range



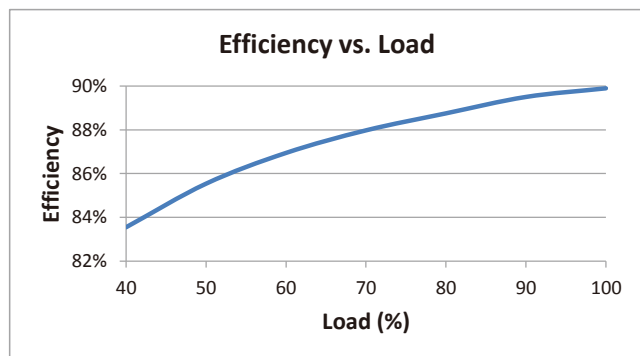
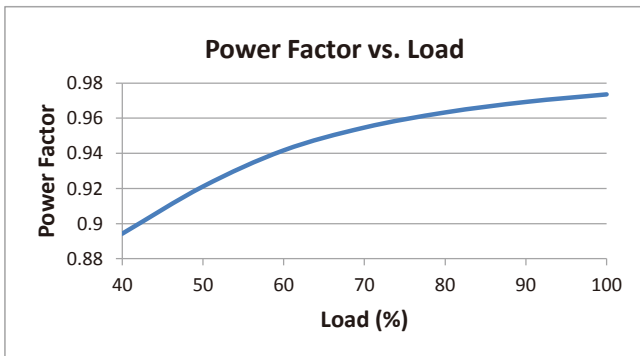
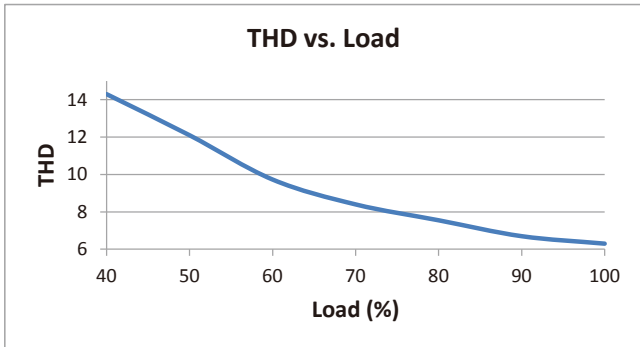
DALI Curve



Dimming Curve

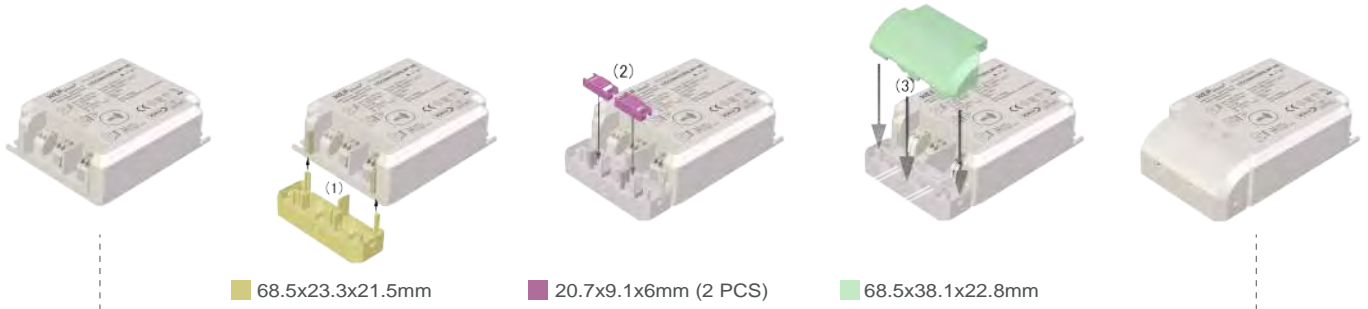


Electrical Values



**Physical
Parameter**

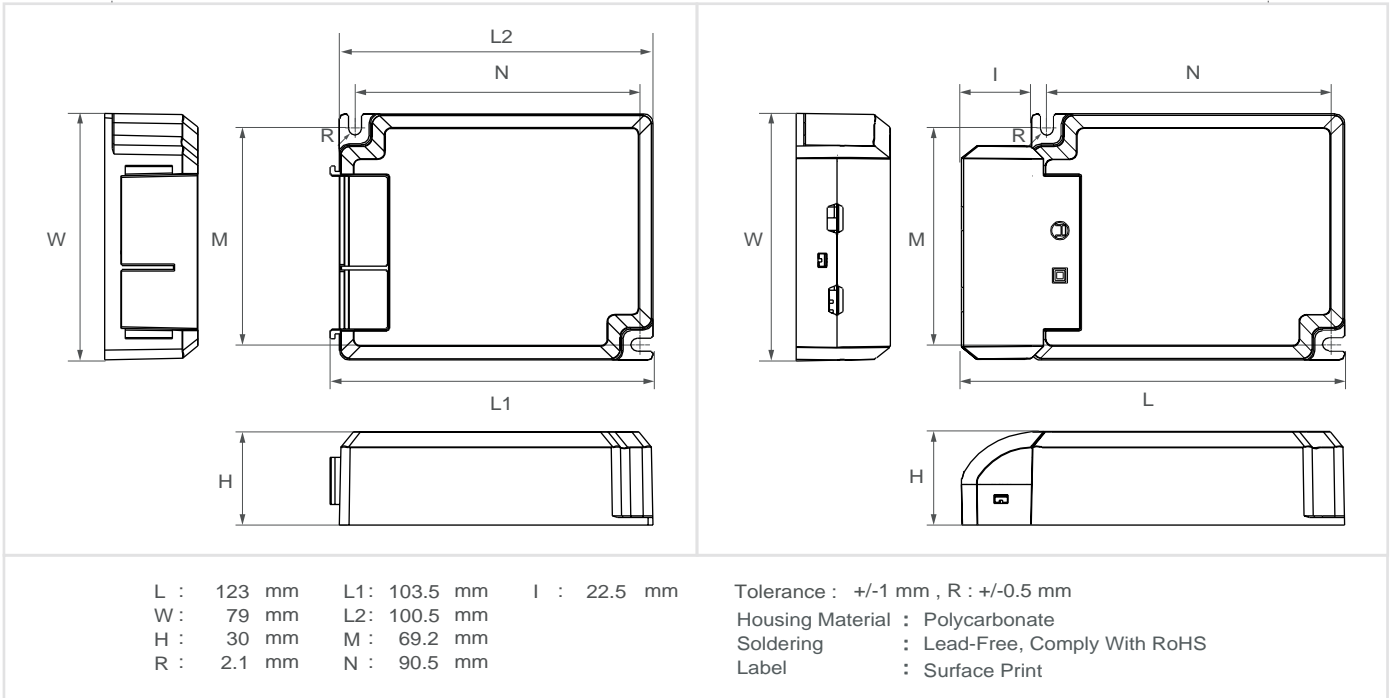
▼ By adding side covers the built-in type simply easy as an independent unit.



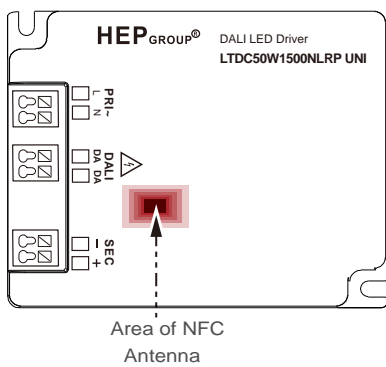
■ 68.5x23.3x21.5mm

■ 20.7x9.1x6mm (2 PCS)

■ 68.5x38.1x22.8mm

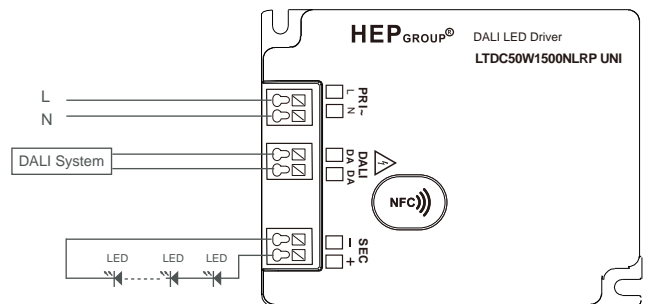


NFC Antenna Location



Wiring Diagram

DALI system



TOUCH DIM

