

DCC HPFU

Direct current electronic drivers
Alimentatori elettronici in corrente continua

TCI Made in Italy 

constant **CURRENT** constant **VOLTAGE**

100 M M EL SELV 60V

RIPPLE FREE



1-2kV DIFF. 2kV COMM. ACTIVE PFC SAFETY PROTECTIONS

Rated Voltage
Tensione Nominale
100 ÷ 127 V ⁽²⁾
220 ÷ 240 V

Frequency - Frequenza
50-60 Hz

AC Operation range
Tensione di utilizzo AC
90 ÷ 264 V

DC Voltage
Tensione DC
(see page info15)
176 ÷ 280 V

Power - Potenza
0 ÷ 12 W

iTHD
≤ 45% ⁽¹⁾

Output current ripple
≤ 3% ⁽¹⁾

Standards compliance
CSA C22.2 no. 223 ⁽³⁾
EN 50172
EN 55015
EN 61000-3-2
EN 61000-3-3
EN 61347-1
EN 61347-2-13
EN 61547
EN 62384
UL 1310 ⁽³⁾
UL 8750 ⁽³⁾
VDE 0710-T14

Max. pcs for CB B16A
(see page info17)
27 pcs

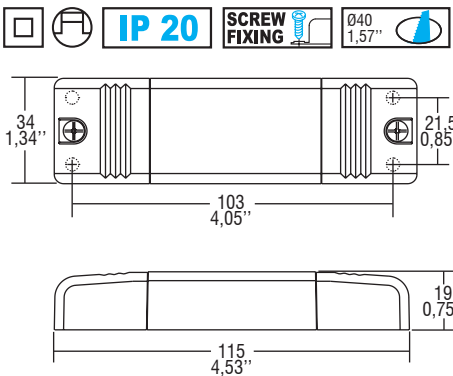
In rush current
27A 250µsec

Article Articolo	Code Codice	P out W	V out DC ⁽¹⁾	I out DC	U out V	ta °C	tc °C	λ max. Power Factor	η max. Efficiency ⁽¹⁾
DCC 12W 500mA HPFU	127711	12 (10 ⁽²⁾)	2...24	500 mA cost.	26	-25...+50	75	0,88 C ⁽³⁾	> 83
DCC 12W 700mA HPFU	127712	12 (10 ⁽²⁾)	2...16	700 mA cost.	18	-25...+50	75	0,85 C ⁽⁴⁾	> 80

⁽¹⁾ Referred to V_{in} = 230 V, 100% load - Riferito a V_{in} = 230 V, carico 100%

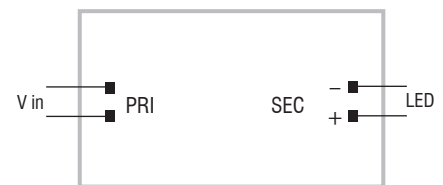
⁽³⁾ λ: 0,88 C @220...240 Vac @Pmax
λ > 0,80 C @220...240 Vac @P > 4W
λ: 0,83 C @100...127 Vac @Pmax
λ > 0,80 C @100...127 Vac @P > 2,5W

⁽⁴⁾ λ: 0,85 C @220...240 Vac @Pmax
λ > 0,83 C @220...240 Vac @P > 5W
λ: 0,84 C @100...127 Vac @Pmax
λ > 0,84 C @100...127 Vac @P > 2W



Wiring diagram - Schema di collegamento

(Max. LED distance on page info8 - Massima distanza LED a pagina info8)



Features

- **Active Power Factor Corrector.**
- IP20 independent driver, for indoor use.
- Class II protection against electric shock for direct or indirect contact.
- Supplied with terminal cover and cable retainer.
- Input and output terminal blocks on opposite sides (wire cross-section up to 2,5 mm² / AWG13).
- Single terminal block on primary and secondary circuit.
- Clamping screws on primary and secondary circuits for cables with diameter: min. 3 mm - max. 8 mm.
- Driver can be secured with slot for screws.
- Protections:
 - against overheating and short circuits;
 - against mains voltage spikes;
 - against overloads.

Caratteristiche

- **PFC attivo.**
- Alimentatore indipendente IP20, per uso interno.
- Protetto in classe II contro le scosse elettriche per contatti diretti e indiretti.
- Fornito di coprimorsetto e serracavo.
- Morsetti di entrata e uscita contrapposti (sezione cavo fino a 2,5 mm² / AWG13).
- Singola morsettiera su primario e secondario.
- Serracavo su primario e secondario per cavi di diametro: min. 3 mm - max. 8 mm.
- Fissaggio dell'alimentatore tramite asole per viti.
- Protezioni:
 - termica e cortocircuito;
 - contro le extra-tensioni di rete;
 - contro i sovraccarichi.

7 YEARS WARRANTY
3% FAILURE RATE

10 YEARS WARRANTY
5% FAILURE RATE

10 YEARS WARRANTY TO TENDERS
ACCORDING TO THE CONTRACT CONDITIONS

PRODUCER'S LIABILITY
TCI

Single current drivers - With PFC
Alimentatori corrente singola - Con PFC

1.2