

LAMP HOLDERS FOR MAINS POWERED HALOGEN LAMPS



A: Rütlistrasse 18, CH-8952 Schlieren
 T: +41 (0)44 730 56 56 W: www.elektrogros.ch
 F: +41 (0)44 730 77 52 E: info@elektrogros.ch

R7s lampholder for lamps with 74.9 mm rated Z

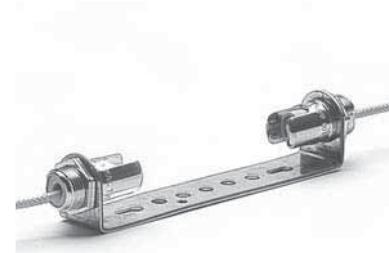
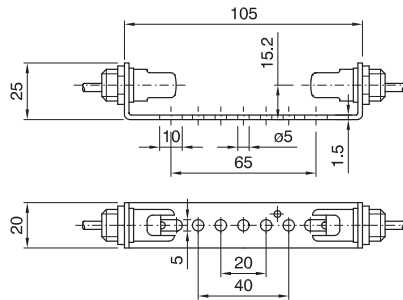
Connection: metal bracket with through holes for M4 screws

Cable finishing: with brass ferules

Packaging: 100 pieces

code 010140 SIV75 cable length 25 cm

5100/SQ54/SIV75/25/MIPDE/AL



R7s lampholder for lamps with 114.2 mm rated Z

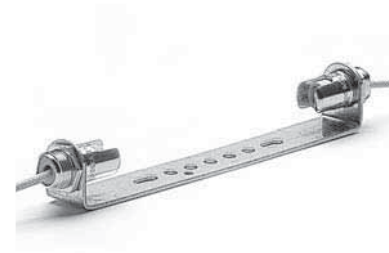
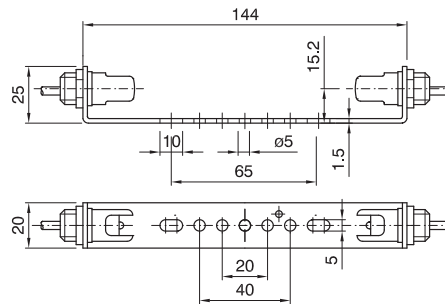
Connection: metal bracket with through holes for M4 screws

Cable finishing: with brass ferules

Packaging: 100 pieces

code 009241 SIV75 cable length 25 cm

5100/SQ53/SIV75/25/MIPDE/AL



R7s lampholder for class II applications with metal nut

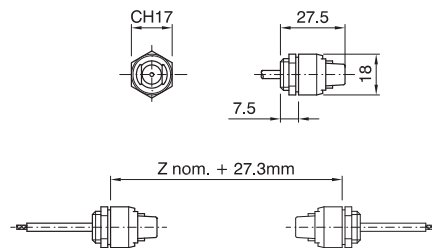
Connection: on template using M14x1 nut (see drawing and table for Z dimension)

Cable finishing: with brass ferules

Packaging: 500 pieces

code 028395 double insulation cable FPP20 length 25 cm

5120/DF/FPP20/25+DADO/SMIPDE/AL



R7s lampholder for lamps with 74.9 mm rated Z on class II applications

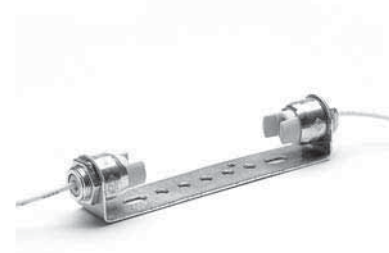
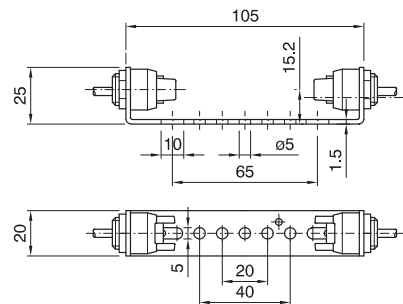
Connection: metal bracket with through holes for M4 screws

Cable finishing: with brass ferules

Packaging: 100 pieces

code 019929 double insulation cable FPP20 length 25 cm

5120/SQ54/FPP20/25/MIPDE/AL



R7s lampholder for lamps with 114.2 mm rated Z on class II applications

Connection: metal bracket with through holes for M4 screws

Cable finishing: with brass ferules

Packaging: 100 pieces

code 019930 double insulation cable FPP20 length 25 cm

5120/SQ53/FPP20/25/MIPDE/AL

