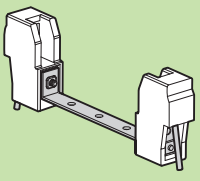


205/SE-70

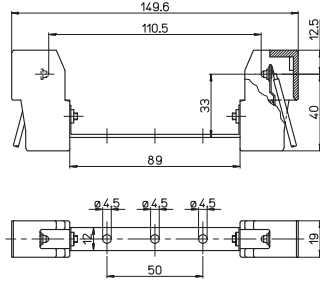
RX7s	4A-1000V	T250
------	----------	------




€

PORTALLAMPADE
 – Staffa in acciaio zincato isolata in classe II (250V)

LAMPHOLDER
 – Zinc plated steel class II insulated support (250V)

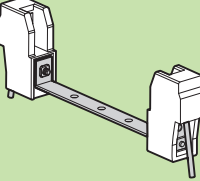


70W



205/SE-150

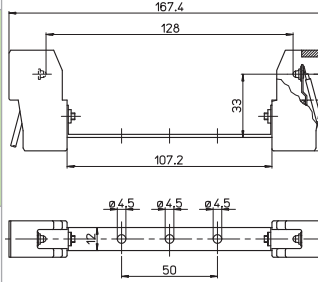
RX7s-24	4A-1000V	T250
---------	----------	------



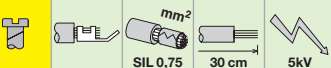
€

PORTALLAMPADE
 – Staffa in acciaio zincato isolata in classe II (250V)

LAMPHOLDER
 – Zinc plated steel class II insulated support (250V)

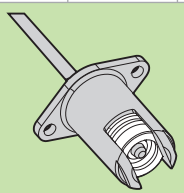


150W



211-21

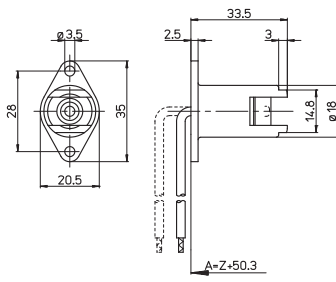
RX7s RX7s-24	4A-250V	T250
-----------------	---------	------



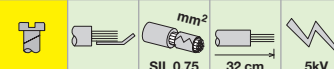
€

PORTALLAMPADE IP20
 – Corpo in alluminio
 – Passacavo in PPS (T1= 240 °C)
 – Contatto in nichel

IP20 LAMPHOLDER
 – Aluminium body
 – PPS for cable protection (T1= 240 °C)
 – Nickel contact

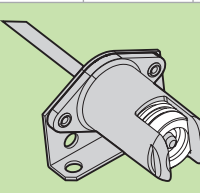


70W 150W



211-21/SB

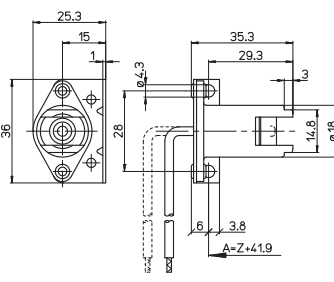
RX7s RX7s-24	4A-250V	T250
-----------------	---------	------



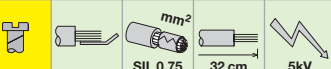
€

PORTALLAMPADE IP20
 – Corpo in alluminio
 – Passacavo in PPS (T1= 240 °C)
 – Contatto in nichel

IP20 LAMPHOLDER
 – Aluminium body
 – PPS for cable protection (T1= 240 °C)
 – Nickel contact

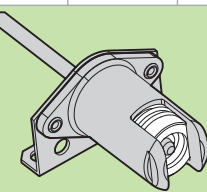


70W 150W



211-21/SC

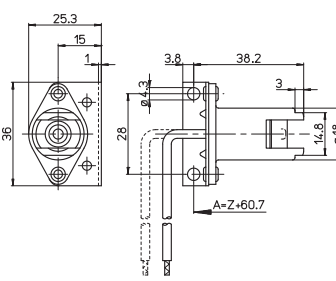
RX7s RX7s-24	4A-250V	T250
-----------------	---------	------




€

PORTALLAMPADE IP20
 – Corpo in alluminio
 – Passacavo in PPS (T1= 240 °C)
 – Contatto in nichel

IP20 LAMPHOLDER
 – Aluminium body
 – PPS for cable protection (T1= 240 °C)
 – Nickel contact

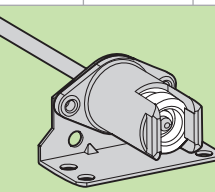


70W 150W



211-21/SD

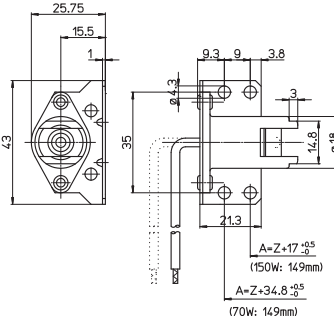
RX7s RX7s-24	4A-250V	T250
-----------------	---------	------



€

PORTALLAMPADE IP20
 – Corpo in alluminio
 – Passacavo in PPS (T1= 240 °C)
 – Contatto in nichel

IP20 LAMPHOLDER
 – Aluminium body
 – PPS for cable protection (T1= 240 °C)
 – Nickel contact



70W 150W

