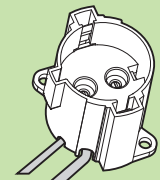


### 310-2/VE

PG12-2	4A-500V	T200
--------	---------	------

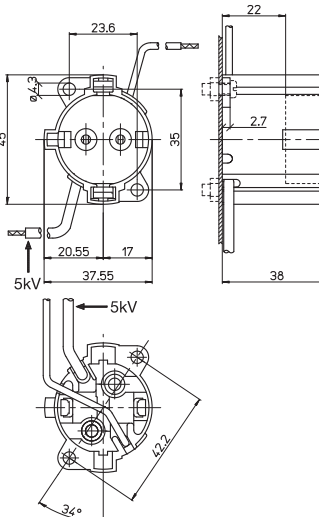


**PORTALAMPADE IP20**  
— Corpo in PET  
— Contatti in nichel  
— Distanze superficiali: 10 mm

**IP20 LAMPHOLDER**  
— PET body  
— Nickel contacts  
— Creepage distances: 10 mm

CE

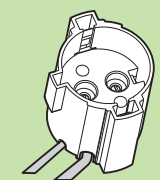
SIL 0,75   SIL 1   20 cm   5kV



Dimensions: 23.6, 22, 2.7, 4.5, 3.5, 20.55, 17, 37.55, 5kV, 3.4°, 38

### 310-2/VI

PG12-2	4A-500V	T200
--------	---------	------

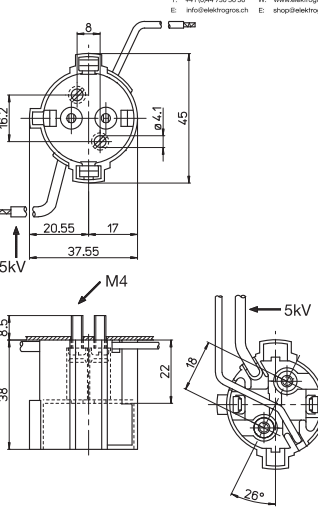


**PORTALAMPADE IP20**  
— Corpo in PET  
— Contatti in nichel  
— Distanze superficiali: 10 mm

**IP20 LAMPHOLDER**  
— PET body  
— Nickel contacts  
— Creepage distances: 10 mm

CE

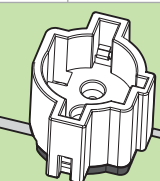
SIL 0,75   SIL 1   20 cm   5kV



Dimensions: 8, 16.2, 4.5, 20.55, 17, 37.55, 5kV, M4, 38, 6.5, 7.2, 19, 26°

### 309-2 309-2/S

PGX12-2	4A-250V	T250
---------	---------	------

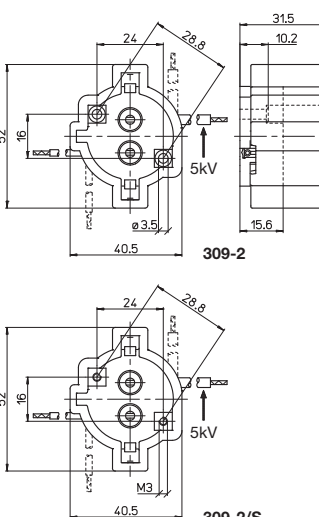


**PORTALAMPADE IP20**  
.../S= con bussolte filettate M3  
— Corpo in steatite — Base in PPS  
— Contatti in nichel

**IP20 LAMPHOLDERS**  
.../S= with M3 threaded bushes  
— Steatite body — PPS base  
— Nickel contacts

CE

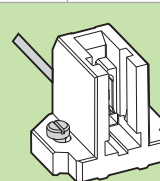
SIL 0,75   SIL 1   20 cm   5kV



Dimensions: 24, 20.8, 31.5, 10.2, 5.2, 16, 5kV, 40.5, 309-2, 309-2/S, 150W, M3

### 315/F 315/MD

Fc2	10A-1000V	T250
-----	-----------	------

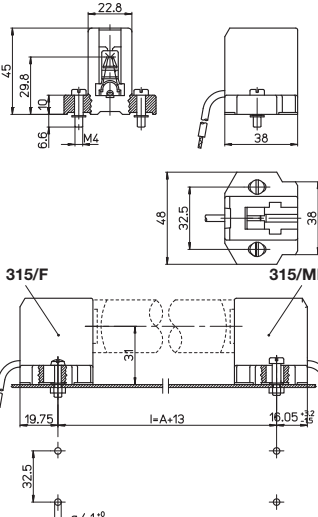


**PORTALAMPADE IP20**  
.../F= fisso .../MD= mobile  
— Corpo in steatite  
— Contatti in nichel

**IP20 LAMPHOLDERS**  
.../F= fixed .../MD= adjustable  
— Steatite body  
— Nickel contacts

CE

SIL 1   30 cm   5kV



Dimensions: 22.8, 4.5, 29.6, 10, 6.6, M4, 38, 4.6, 37.5, 38, 315/F, 315/MD, 19.75, 16.05, 1.2, 37.5, 4.1, 4.05

### 320

K12,5x7s	18A-1000V	T250
----------	-----------	------

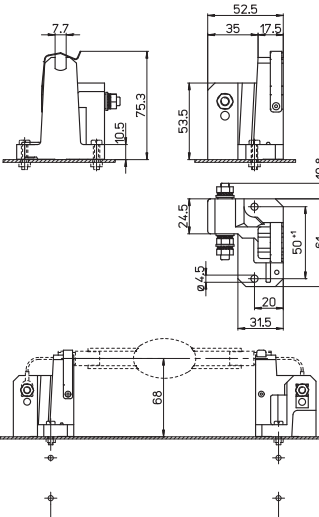


**PORTALAMPADE**  
— Corpo in porcellana  
— Serrafilo con perno filettato e dado esagonale

**LAMPHOLDER**  
— Porcelain body  
— Cable clamping screw bolt and exagonal nut

CE

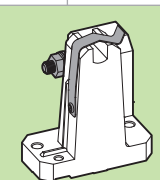
18kV



Dimensions: 7.7, 52.5, 35, 17.5, 75.3, 53.5, 10.5, 74.5, 61, 68, 198, 20, 31.5, 40.8

### 320/SY

K12,5x7s	18A-1000V	T250
----------	-----------	------

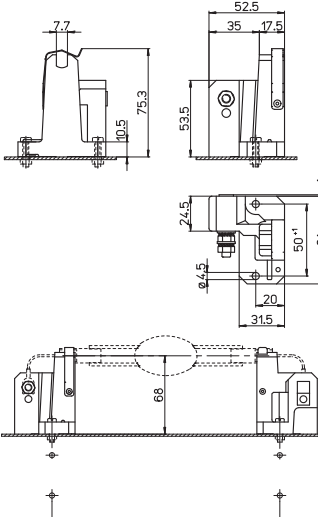


**PORTALAMPADE**  
— Corpo in porcellana  
— Serrafilo con perno filettato e dado esagonale

**LAMPHOLDER**  
— Porcelain body  
— Cable clamping screw bolt and exagonal nut

CE

18kV



Dimensions: 7.7, 52.5, 35, 17.5, 75.3, 53.5, 10.5, 74.5, 61, 68, 198, 20, 31.5, 40.8