

**A91**

2008



**PATENTED**

**Lampholder:**

Rated voltage:  
Impulse voltage:  
Rated current:  
Working temperature:  
Type of clamps to connect the cables:

Clamps connecting capacity:  
Overvoltage category:  
Protection degree (IP):  
In conformity to the standards:  
In conformity to the requirements of the directive:

Approval marks:

**PGZ12**

**500 V**  
**5 kV**  
**4 A**  
**T 280°C**

**SPRING CLAMPS**  
**(push-in insertion)**

**0,75 ÷ 1,00 mm<sup>2</sup>**  
**III**  
**IP20**  
**EN 60838-1**

**2014/35/EU**

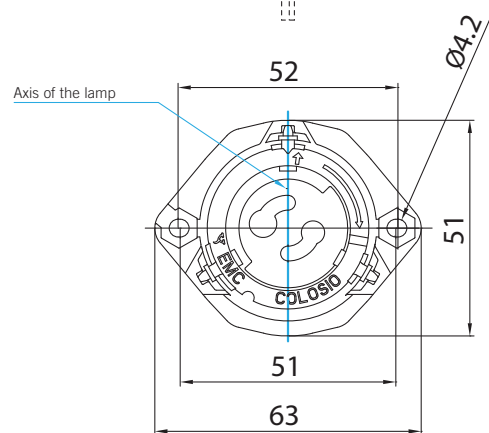
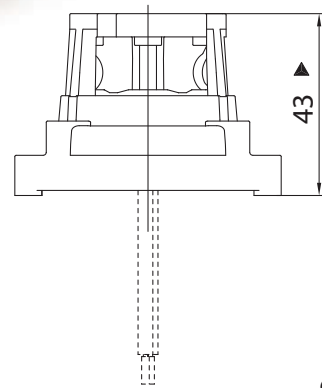
**CQC**



Single-conductor flexible connecting cables which could be connected to the lampholder (arranged with crimped end-terminals):

Insulation	T in °C	Conduct.	Available sections and tensions			
			Pulse kV	0,75 mm <sup>2</sup>	1,00 mm <sup>2</sup>	1,50 mm <sup>2</sup>
Silicone+Silicone <i>Single insulation</i>	180	CuSn	5kV	•	•	
Oversize silicone <i>Single insulation</i>	180	CuSn	5kV	•	•	
Silicone+Silicone + Glass-braid <i>Single insulation</i>	180	CuSn	5kV	•	•	
Oversize PTFE <i>Single insulation</i>	250	CuNi	5kV		•	
Oversize PTFE+PFA <i>Double insulation</i>	250	CuNi	5kV		•	

On customer's request, the cable not subjected to the lamp starter voltage, can be supplied with basic insulation.



▲ Reference plane