

# MP 50 K3

**Direct current electronic drivers with DIP-SWITCH**  
**Alimentatori elettronici in corrente continua con DIP-SWITCH**

**TCI** Made in Italy

constant  
**CURRENT**

IS 15885  
(Part 2 / Sec 13)  
**EAC**  
R - 41049751

**DAMP LOCATION**

**UL US**

**EN 05**

**KEMA EUR**

**CCC**

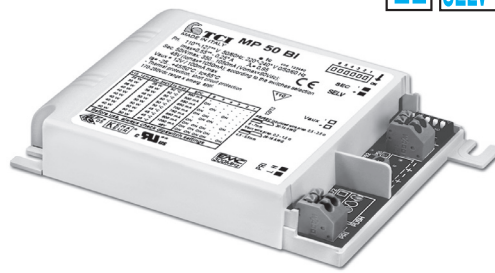
**V110**

**SELV 120V**

**RIPPLE FREE**



MP 50 K3



MP 50 BI

3.5kV DIFF.  
4kV COMM.

**ACTIVE PFC**

**DIP-SWITCH**

12V AUX.  
100 mA

**SEC. SWITCH**

**SAFETY PROTECTIONS**

## Rated Voltage

**Tensione Nominale**

110 ÷ 127 V <sup>(2)</sup>

220 ÷ 240 V

## Frequency

**Frequenza**

50-60 Hz

## AC Operation range

**Tensione di utilizzo AC**

99 ÷ 264 V

## DC Operation range

**Tensione di utilizzo DC**

(see page info15)

170 ÷ 280 V

## Power - Potenza

1 ÷ 50 W

## iTHD

≤ 15% <sup>(1)</sup>

## Output current ripple

≤ 3% <sup>(1)</sup>

## Standards compliance

CSA-C22.2 n° 107.1 <sup>(2)</sup>

CSA-C22.2 n° 250.13 <sup>(2)</sup>

EN 50172 (VDE 0108)

EN 55015

EN 61000-3-2

EN 61000-3-3

EN 61347-1

EN 61347-2-13

EN 61547

EN 62384

UL 1012 <sup>(2)</sup>

UL 8750 <sup>(2)</sup>

## Max. pcs for CB B16A

(see page info17)

15 pcs

## In rush current

20A 400µsec

**7 YEARS WARRANTY**  
3% FAILURE RATE

**10 YEARS WARRANTY**  
5% FAILURE RATE

**PRODUCER'S LIABILITY**  
**TCI**

**10 YEARS WARRANTY TO YEARS**  
ACCORDING TO THE EUROPEAN CONDITIONS

Article Articolo	Code Codice	P out W	V out DC <sup>(1)</sup>	I out DC	U out V	ta °C	tc °C	λ max. Power Factor	η max. Efficiency <sup>(1)</sup>
<b>MP 50 K3</b> <sup>(3)</sup>	122204	25 (25 <sup>(2)</sup> )	2...74	350 mA cost.	90	-25... +50	85	0,95	>89
		35 (35 <sup>(2)</sup> )	2...72	500 mA cost.					
<b>MP 50 BI</b>	122460	39 (39 <sup>(2)</sup> )	2...72	550 mA cost.					
		46 (40 <sup>(2)</sup> )	2...72	650 mA cost.					
		50 (40 <sup>(2)</sup> )	2...71	700 mA cost. <sup>(5)</sup>					
		50 (40 <sup>(2)</sup> )	2...66	750 mA cost.					
		50 (40 <sup>(2)</sup> )	2...58	850 mA cost.					
		50 (40 <sup>(2)</sup> )	2...55	900 mA cost.					
		50 (40 <sup>(2)</sup> )	2...48	1,05 A cost.					

<sup>(1)</sup> Referred to  $V_{in} = 230$  V, 100% load - Riferito a  $V_{in} = 230$  V, carico 100%

<sup>(4)</sup> 122204BIS: order code for BIS marked product - codice di ordine per il prodotto marchiato BIS

<sup>(5)</sup> Ta -25... +55°C, max 40 W

## Features

- Multipower driver supplied with dip-switch for the selection of the output current.
- IP20 independent driver, for indoor use (MP 50 K3).
- Class II protection against electric shock for direct or indirect contact (MP 50 K3).
- Driver for built-in use (MP 50 BI).
- It can be used for lighting equipment in protection class I and II (MP 50 BI).
- Active Power Factor Corrector.
- Auxiliary output 12 V max. 100 mA.
- Current regulation ±5 % including temperature variations.
- Input and output terminal blocks on the same side (wire cross-section up to 2,5 mm<sup>2</sup> / AWG13).
- Clamping screws on primary and secondary circuits for cables with diameter: min. 3 mm - max. 8 mm (MP 50 K3).
- Driver can be secured with slot for screws.
- Protections:
  - against overheating and short circuits;
  - against mains voltage spikes;
  - against overloads.
- Thermal protection = C.5.a.

## Caratteristiche

- Alimentatore multipotenza fornito di dip-switch per la selezione della corrente in uscita.
- Alimentatore indipendente IP20, per uso interno (MP 50 K3).
- Protetto in classe II contro le scosse elettriche per contatti diretti e indiretti (MP 50 K3).
- Alimentatore da incorporare (MP 50 BI).
- Utilizzabile per apparecchi di illuminazione in classe di protezione I e II (MP 50 BI).
- PFC attivo.
- Uscita ausiliare 12 V max. 100 mA.
- Corrente regolata ±5 % incluse variazioni di temperatura.
- Morsetti di entrata e uscita sullo stesso lato (sezione cavo fino a 2,5 mm<sup>2</sup> / AWG13).
- Serracavo su primario e secondario per cavi di diametro: min. 3 mm - max. 8 mm (MP 50 K3).
- Fissaggio dell'alimentatore tramite asole per viti.
- Protezioni:
  - termica e cortocircuito;
  - contro le extra-tensioni di rete;
  - contro i sovraccarichi.
- Protezione termica = C.5.a.

## Direct current electronic drivers with DIP-SWITCH Alimentatori elettronici in corrente continua con DIP-SWITCH

Made in Italy



**IP 20**



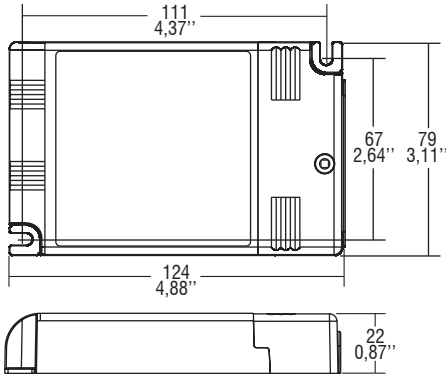
**SCREW FIXING**

Ø84  
3,31"



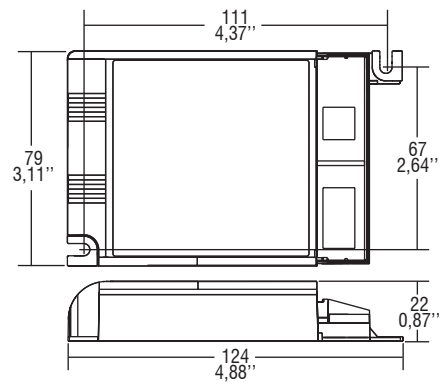
Weight - Peso gr. 205 / 7,2 oz.  
Pcs - Pezzi 50

Compatible with ZHAGA (AM3)

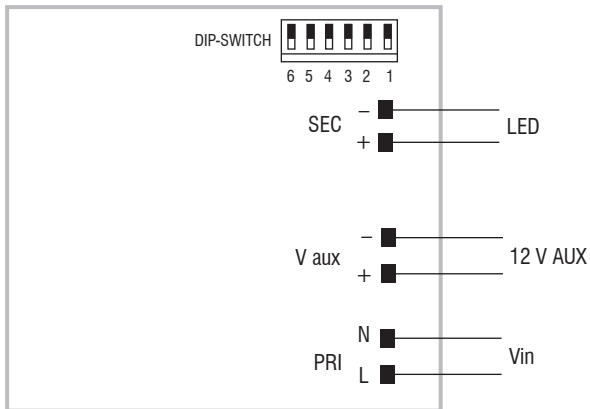


Weight - Peso gr. 189 / 6,7 oz.  
Pcs - Pezzi 50

Compatible with ZHAGA (AM3)



**Wiring diagram - Schema di collegamento** (Max. LED distance on page info8 - Massima distanza LED a pagina info8)



2.1

Multipower drivers - Compact case - Switchable  
Alimentatori multipotenza - Formato compatto - Non regolabili