

1128/R

1128/T

CLIPS
CLIPS

Technische Daten

Technical data

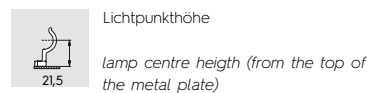
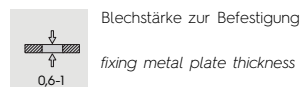
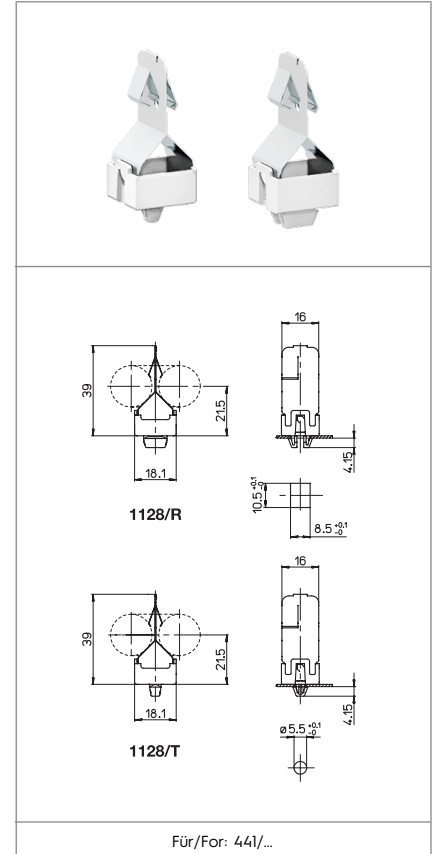
Merkmale

Characteristics

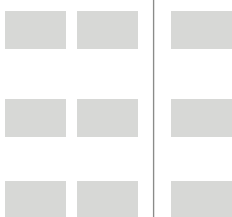
aus Edelstahl

in stainless steel

- Unterteil: polycarbonat, weiss
- White polycarbonate base



Prüfzeichen
Quality marks



Europäische Richtlinien
European directives

Gemäß "RoHS"
"RoHS" compliant

Unterliegt nicht "WEEE"
Not subject to "WEEE"

Gewichte und Verpackung
Weights and packaging

Art. Codice prodotti Product references	g Peso netto Net weight	n° pz per sacco per bag	n° pz per scatola per box	n° pz per cartone per carton
1128/R	4,4	500		
1128/T	4,3	500	100	

Bemerkung

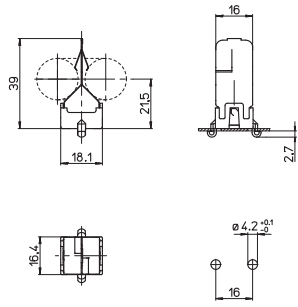
Notes

1128/A

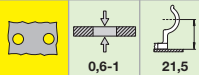


GANCIO
in acciaio inox
— Base in policarbonato

CLIP
in stainless steel
— Polycarbonate base

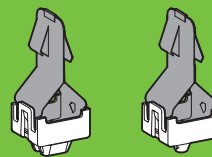


Per/For: 441/...



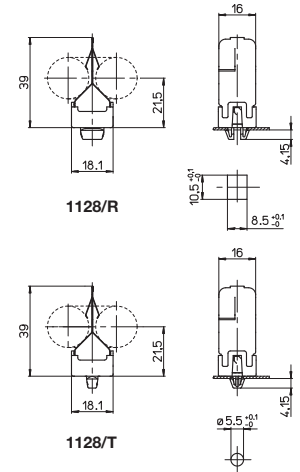
0,6-1 21,5

1128/R 1128/T

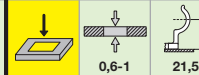


GANCIO
in acciaio inox
— Base in policarbonato

CLIPS
in stainless steel
— Polycarbonate base

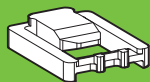


Per/For: 441/...



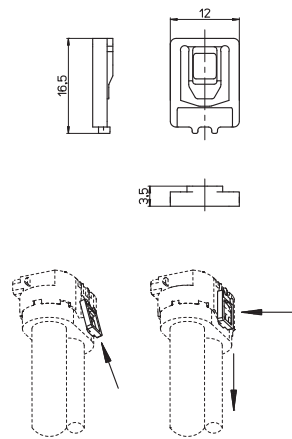
0,6-1 21,5

S-444/4

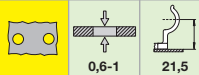


DISPOSITIVO FERMALAMPADA
in PBT

LAMP LOCKING DEVICE
in PBT



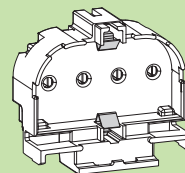
Per/For: 444/...



0,6-1 21,5

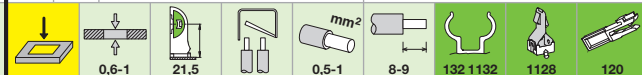
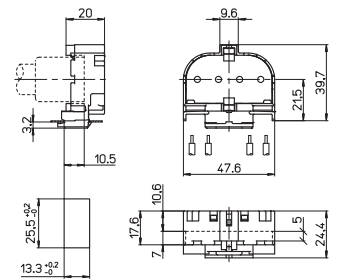
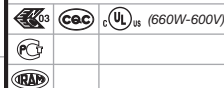
441/LR

2G11 2A-500V T140



PORTALAMPADE IP20
— Corpo in PBT
— Contatti in lega di rame

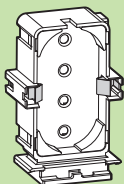
IP20 LAMPHOLDER
— PBT body
— Copper alloy contacts



0,6-1 21,5 0,5-1 8-9 132 1132 1128 120

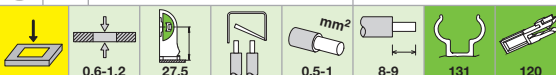
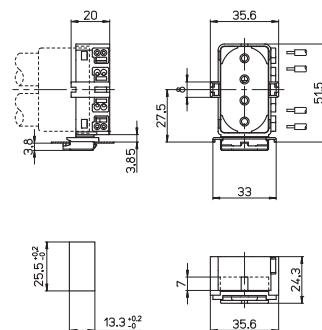
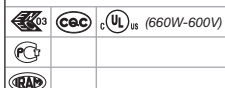
442/LR

2G11 2A-250V T140



PORTALAMPADE IP20
— Corpo in PBT
— Contatti in lega di rame

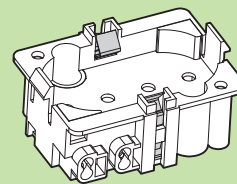
IP20 LAMPHOLDER
— PBT body
— Copper alloy contacts



0,6-1,2 27,5 0,5-1 8-9 131 120

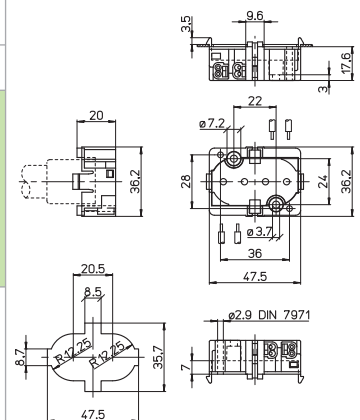
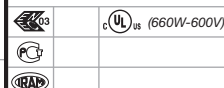
443/A

2G11 2A-250V T140



PORTALAMPADE IP20
— Corpo in PBT
— Contatti in lega di rame

IP20 LAMPHOLDER
— PBT body
— Copper alloy contacts



0,6-1,2 0,5-1 8-9 120