



# Electrical Specification for **LLD30W900CA**

DALI / Push Dim / 1-10V Dimmable LED Driver



	Item	Value	Remark
Input	Nominal voltage	220–240V	
	Nominal frequency	50–60Hz	
	AC voltage range	198–264V	
	DC voltage range (start)	NA	
	DC voltage range (operation)	NA	
	Nominal current	160mA	Full load @230VAC
	Total Harmonic Distortion (THD)	< 22%	Full load @230VAC
	Power factor	0.9C (Min.)	Full load @230VAC
	Displacement factor	0.9C (Min.)	Full load @230VAC
	Efficiency	87% (Typ.)	Full load @230VAC
	No-load power	N/A	
	Stand-by power	< 0.5W	@230Vac when PUSH or DALI turn off
	Networked standby power	< 0.5W	@230Vac when PUSH or DALI turn off
	Protection class	II	Suitable for class II luminaires
	Inrush current	15 A / 100 µs	Full load @230VAC
Earth leakage current	NA		
Output	Nominal voltage range		
	@300mA	9-58Vdc	
	@350mA	9-58Vdc	
	@400mA	9-58Vdc	
	@450mA	9-58Vdc	
	@500mA	9-58Vdc	
	@550mA	9-55Vdc	
	@600mA	9-50Vdc	
	@650mA	9-46Vdc	
	@700mA	9-42Vdc	
	@750mA	9-40Vdc	
	@800mA	9-38Vdc	
	@850mA	9-35Vdc	
	@900mA	9-34Vdc	
Maximum voltage	68Vdc	No load protection	

	Item	Value	Remark
	Nominal current range		
	@300mA	300mA	
	@350mA	350mA	
	@400mA	400mA	
	@450mA	450mA	
	@500mA	500mA	
	@550mA	550mA	
	@600mA	600mA	
	@650mA	650mA	
	@700mA	700mA	
	@750mA	750mA	
	@800mA	800mA	
	@850mA	850mA	
	@900mA	900mA	
Output	Current accuracy	± 5%	Full load @ 230Vac
	Typical output LF current ripple	± 7%	Low Frequency < 120Hz Full load @230VAC
	Starting time	< 1 S	Full load @230VAC
	Nominal power range		
	@300mA	2.7-17.4W	
	@350mA	3.2-20.3W	
	@400mA	3.6-23.2W	
	@450mA	4.1-26.1W	
	@500mA	4.5-29W	
	@550mA	5-30W	
	@600mA	5.4-30W	
	@650mA	5.9-30W	
	@700mA	6.3-30W	
	@750mA	6.8-30W	
	@800mA	7.2-30W	
	@850mA	7.7-30W	
	@900mA	8.1-30W	
	Maximum power	30W	
Dimming	Dimming control	DALI / Push Dimming / 1-10V	
	Dimming technique	Amplitude	
	PWM frequency	NA	
	Dimming range		
	Primary Push & DALI Dimming	0-100%	
	1-10V Dimming	2-100%	
	Lowest dimming current	0.5-4%	
	Galvanic isolation	The insulation between DALI and primary circuit is basis isolated and to the secondary circuit is double or reinforced insulation. The insulation between 0-10V / 1-10V control and primary circuit is double or reinforced insulated and to the secondary circuit is non-insulated.	

	Item	Value	Remark
Environment	Ambient temperature range $t_a$	-25°C - +50°C	
	Maximum case temperature $t_c$	85°C	
	Max. case temp. in fault condition	110°C	
	Storage temperature range	-40°C - +80°C	
	Relative humidity	85%	
	Surge transient protection	1kV	L/N
	Environmental rating	Indoor	
	IP rating	IP20	
	Mains switching cycles	> 10,000	
	Expected lifetime	> 50,000 h, $t_c$ 85 °C @ $t_a$ 50 °C > 100000 h, $t_c$ 75 °C @ $t_a$ 40 °C	0.2 % / 1,000 h failure rate 0.1 % / 1,000 h failure rate

Packing	Gross weight/Carton	8 kg	
	Net weight/Carton	7.5 kg	
	Pcs/Carton	50 PCS	
	Dimension/Carton	440(L)*365(W)*180(H)mm	

#### Protections

Short- & open circuit proof, Auto. Overload protection

#### Conformity & Standards

Safety standard:	EN 61347-1, EN 61347-2-13
Performance:	EN 62384
EMC standard:	EN55015,EN61547,EN61000-3-2,EN61000-3-3
DALI protocol standard:	IEC62386-102,IEC62386-207

#### Cable information

##### PRI Connection

Cable cross-section	0.75-1.5□/AWG 18-16
Stripping	9mm

##### Sec Connection

Cable cross-section	0.75-1.5□/AWG 18-16
Stripping	9mm

#### Terminal information

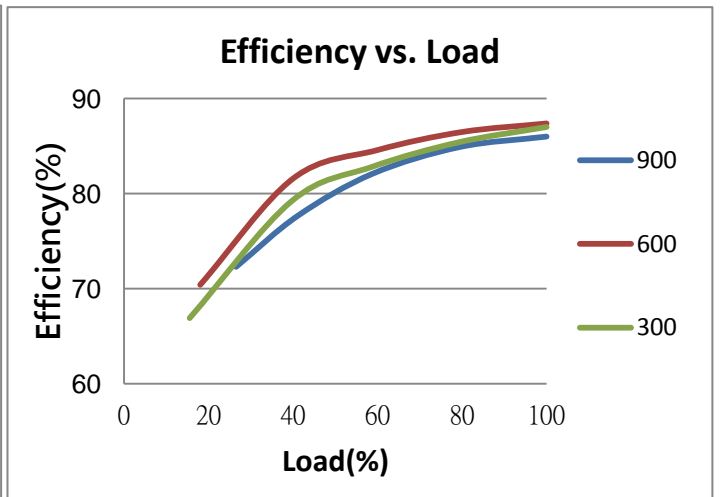
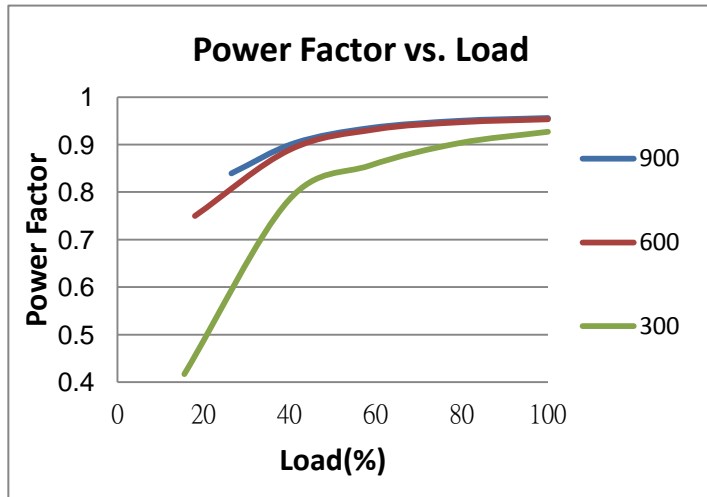
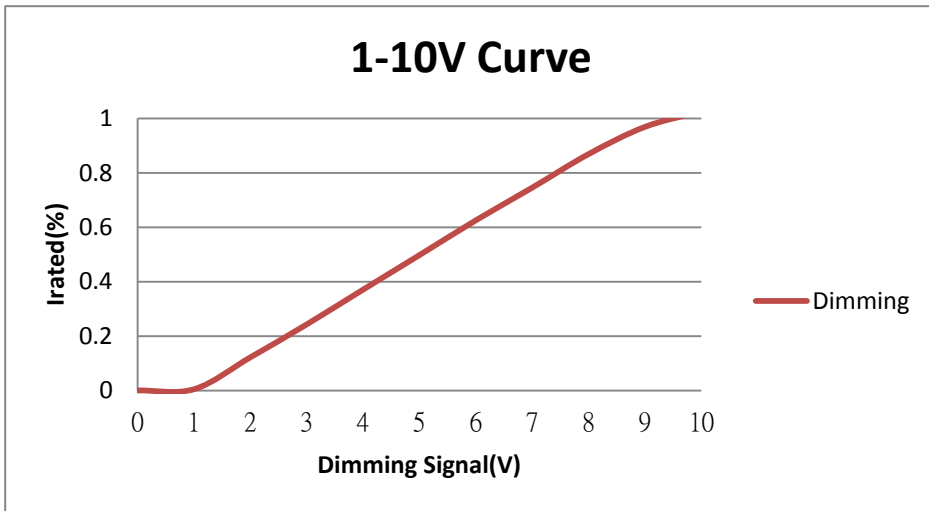
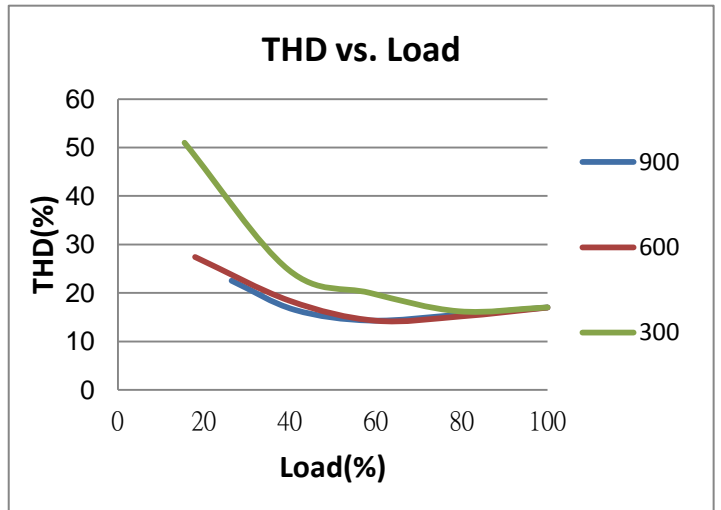
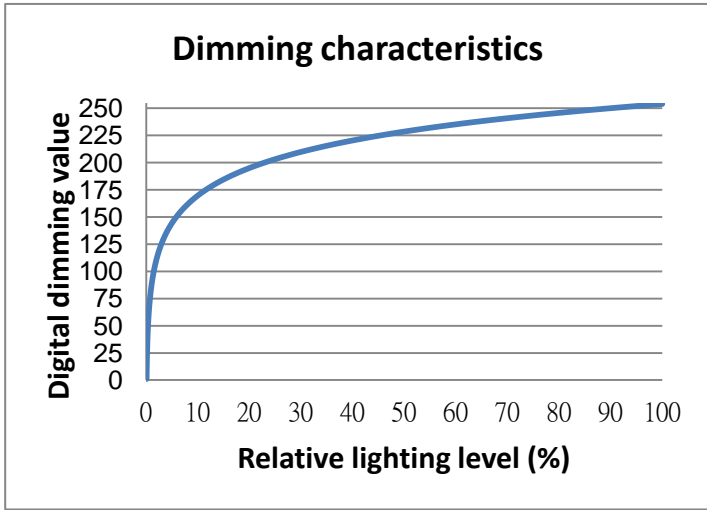
**PRI**-Push button

**SEC**-Push button

**DALI**-Push button

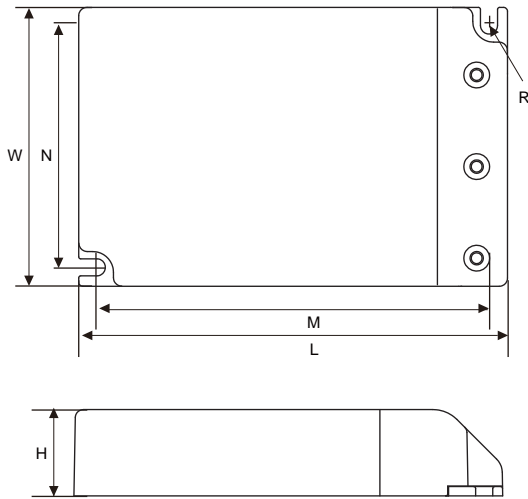
\* If not mentioned, all the test conditions are based on full load at 230VAC input (for 220-240 VAC input).

\*Subject to change without notice, HEP guarantees all products perform functionally well\*



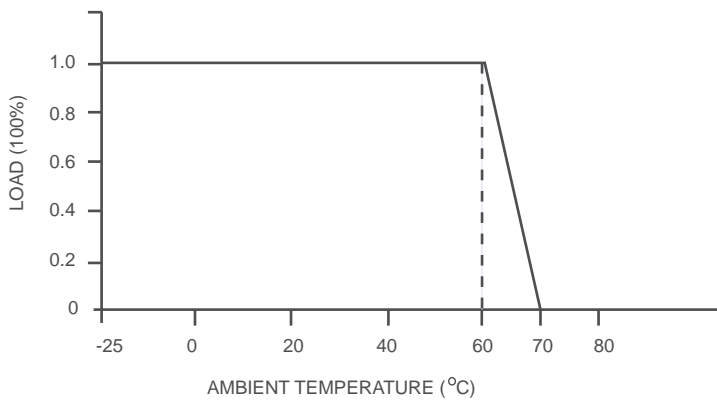
# Physical

## Parameter

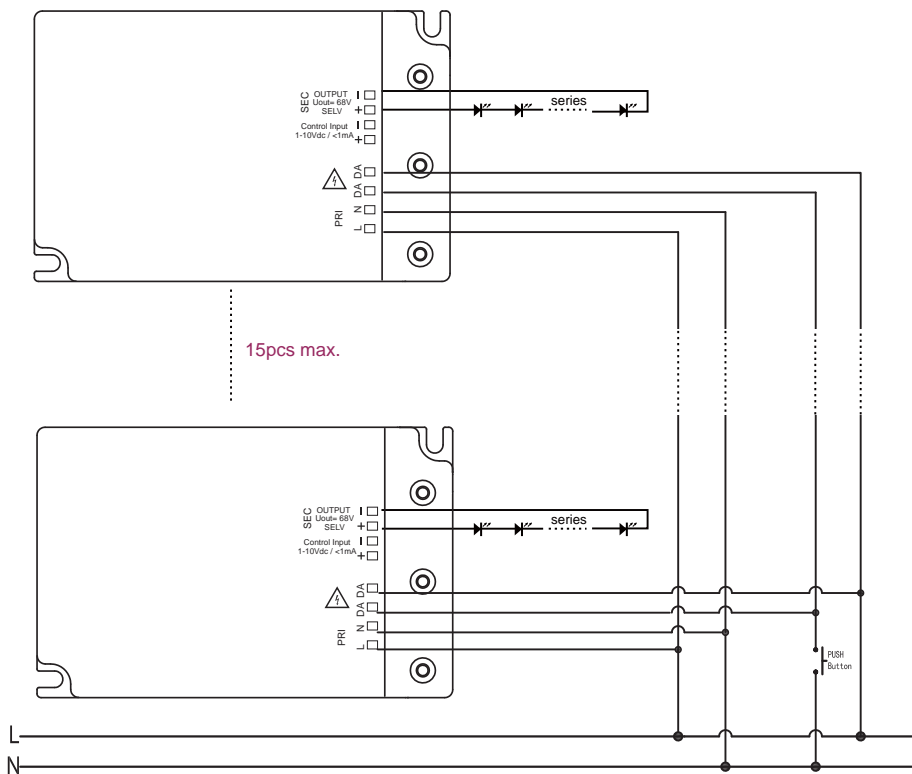


L : 103 mm    W: 67 mm    H : 22 mm  
M : 94.2 mm    N : 58.1 mm    R : 2.05 mm  
Tolerance : +/-3 mm

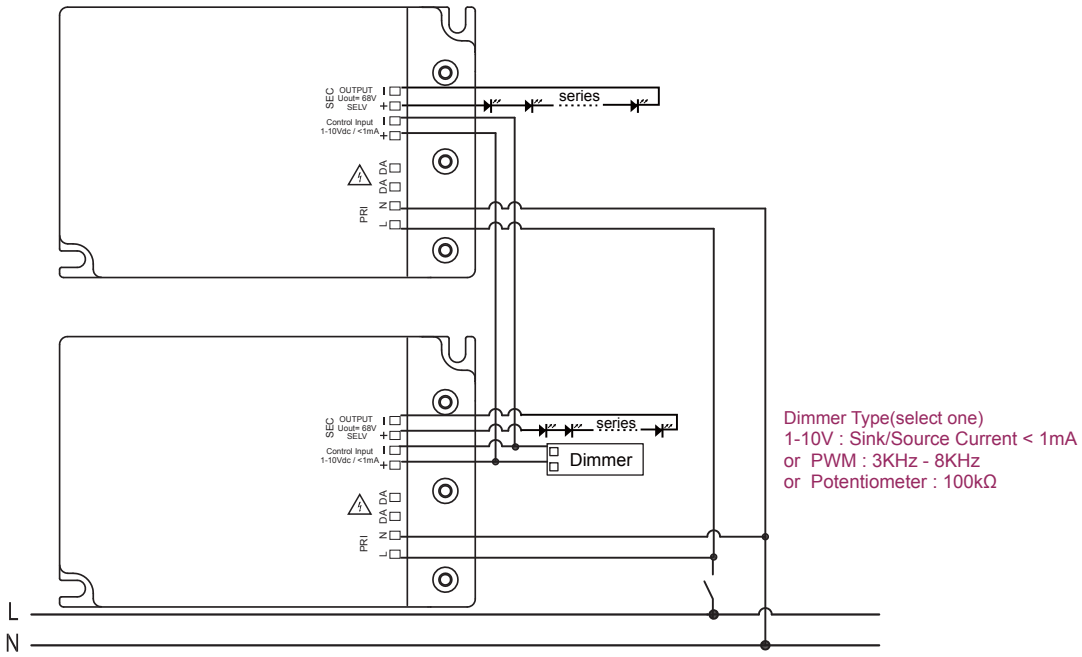
## Derating



## Push Dim



1-10V Dim



DALI Dim

