



Item	Value	Remark	
Nominal voltage	220–240V		
Nominal frequency	50–60Hz		
AC voltage range	198–264V		
DC voltage range	200-240		
Nominal current	80mA	Full load @230VAC	
Total Harmonic Distortion (THD)	< 20%	Full load @230VAC	
Power factor	0.4-0.92C	Min-load @ 240Vac and Full-load @ 220Vac	
Displacement factor	0.4-0.92C	Min-load @ 240Vac and Full-load @ 220Vac	
Efficiency	82% (Typ.)	Full load 24VDC/500mA @230VAC	
No-load power	NA		
Stand-by power	< 0.5W	@230Vac when DALI turn off	
Networked standby power	NA		
Protection class	II	Suitable for class II luminaires	
Inrush current	15 A / 100 µs	Full load @230VAC	
Max.units per circuit breaker	Type B , 10A MCB	50	
	Type B , 16A MCB	80	
	Type C , 10A MCB	63	
	Type C , 16A MCB	100	
Earth leakage current	NA		
Output	Nominal voltage range		
	@350mA	3-24Vdc	
	@500mA	3-24Vdc	
	@550mA	3-22Vdc	
	@700mA	3-17Vdc	
	Maximum voltage	32Vdc	
	Nominal current range		Factory default 700mA
	@350mA	350mA	
	@500mA	500mA	
	@550mA	550mA	
@700mA	700mA		
Current accuracy	± 5%	Full load @ 230Vac	
Typical output LF current ripple	± 5%	Low Frequency< 120Hz Full load @230VAC	

	Item	Value	Remark
Output	Starting time	< 1S	Full load @230VAC
	SVM	≤0.4	Full load @230VAC
	PstLM	≤1	Full load @230VAC
	Nominal power range		
	@350mA	1.1-8.4W	
	@500mA	1.5-12.0W	
	@550mA	1.7-12.1W	
	@700mA	2.1-11.9W	
	Maximum power	12W	
Dimming	Dimming control	DALI/Touch Dim	
	Dimming technique	Amplitude	
	PWM frequency	NA	
	Dimming range		
	DALI Dimming	2-100%	
	Touch Dimming	2-100%	
	Galvanic isolation	Basic insulated to PRI and double insulated to SEC	
Environment	Ambient temperature range $t_a$	-20°C - +50°C	
	Maximum case temperature $t_c$	85°C	
	Max. case temp. in fault condition	110°C	When operating under fault conditions, the temperature of the enclosure at any location should not exceed 110 °C
	Storage temperature range	-40°C - +80°C	
	Relative humidity	85%	
	Surge transient protection	1kV	L/N
	Environmental rating	Indoor	
	IP rating	IP20	
	Mains switching cycles	> 10,000	
	Expected lifetime	> 50,000 h, $t_c$ 85 °C @ $t_a$ 50 °C > 100000 h, $t_c$ 75 °C @ $t_a$ 40 °C	0.2 % / 1,000 h failure rate 0.1 % / 1,000 h failure rate
Packing	Gross weight/box	12 kg	
	Net weight/box	9 kg	
	Pcs/box	125 PCS	
	Dimension/box	490(L)*270(W)*225(H)mm	
<b>Protections</b>			
	Short-circuit Protection	Latched	
	Open-circuit Protection	Auto recovery	
	Overload Protection	Auto recovery	
<b>Conformity &amp; Standards</b>			
	Safety standard:	EN 61347-1, EN 61347-2-13	
	Performance:	EN 62384	
	EMC standard:	EN55015,EN61547,EN61000-3-2,EN61000-3-3	
	DALI protocol standard:	IEC62386-102,IEC62386-207	

### Cable information

**PRI** Connection

Cable cross-section 0.5-1.5□/AWG 20-16

Stripping 9mm

**Sec** Connection

Cable cross-section 0.5-1.5□/AWG 20-16

Stripping 9mm

**DALI/Touch Dim** Connection

Cable cross-section 0.5-1.5□/AWG 20-16

Stripping 9mm

### Terminal information

**PRI**-Push button

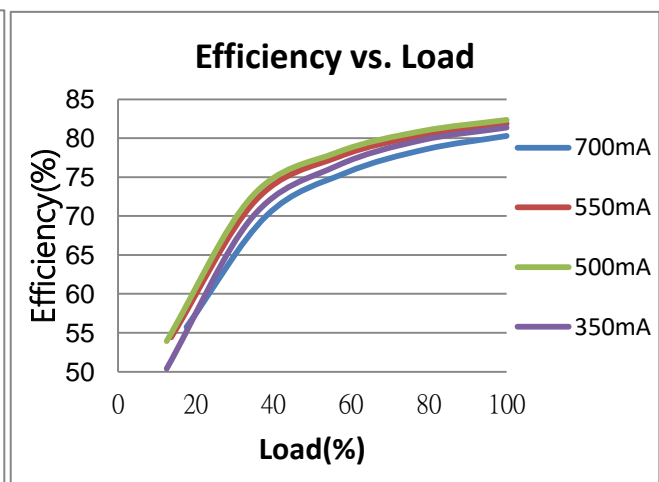
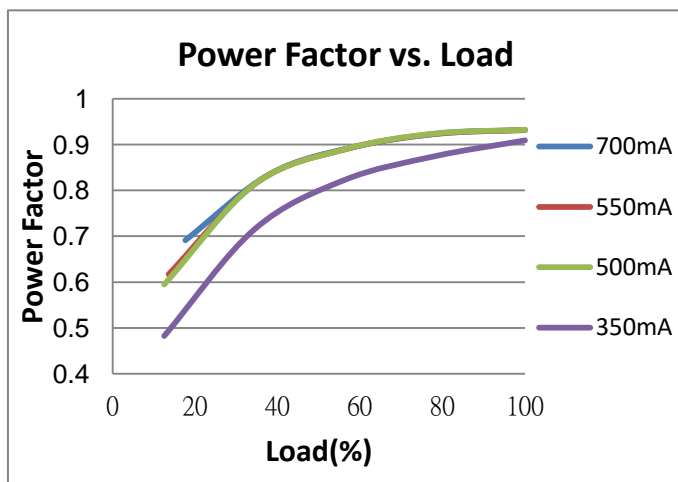
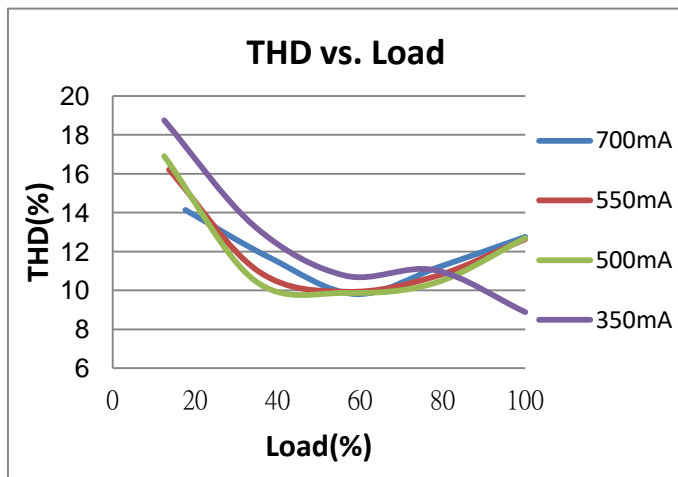
**SEC**-Push button

**DALI**-Push button

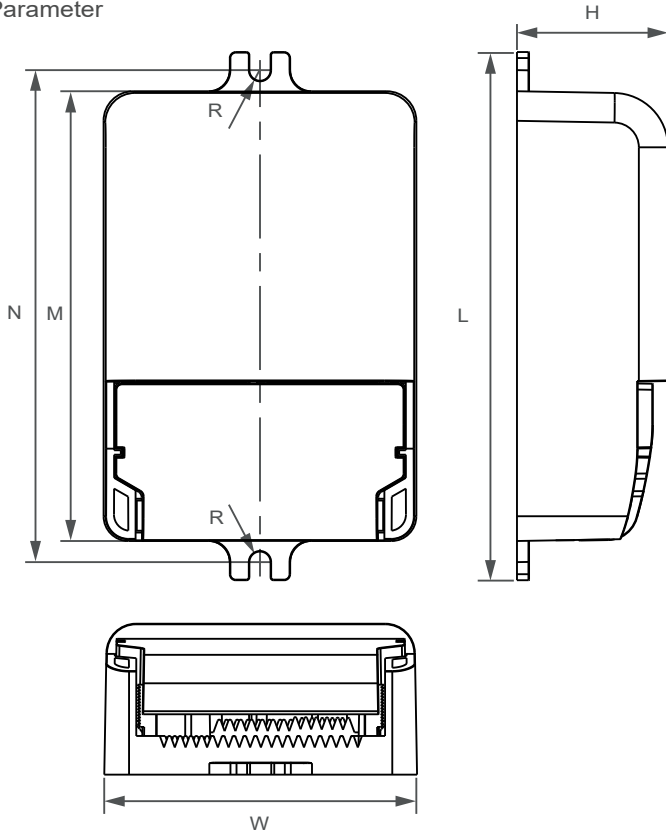
\* If not mentioned, all the test conditions are based on full load at 230VAC input (for 220-240 VAC input).

\*Subject to change without notice, HEP guarantees all products perform functionally well\*

## Electrical Values



**Physical  
Parameter**

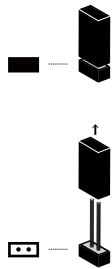


L : 87.5 mm    M : 74.5 mm  
 W : 51.8 mm    N : 81.5 mm  
 H : 25.0 mm    R : 1.75 mm

Tolerance : +/-1 mm , R : +/-0.5 mm

Housing Material : Polycarbonate  
 Soldering : Lead-Free, Comply With RoHS  
 Label : Surface Print

**Current Selection By Jumpers**



Current	Jumpers setting
700mA	J1  J2
550mA	J1  J2
500mA	J1  J2
350mA	J1  J2

**WiringDiagram**

**DALI system**

**TOUCH DIM**

