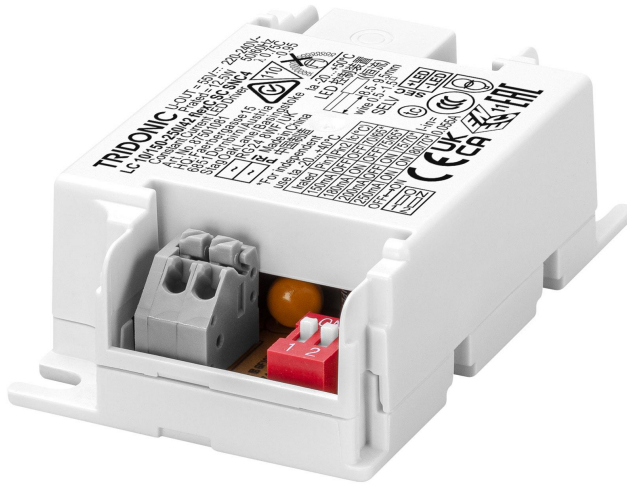


Driver LC 10W 150-250mA flexC SC SNC4

essence series

**Product description**

- _ Fixed output LED driver
- _ Can be either used built-in or independent with clip-on strain-relief (see accessory)
- _ Independent LED driver with cable clamps
- _ For luminaires of protection class I and protection class II
- _ Temperature protection as per EN 61347-2-13 C5e
- _ Constant current LED driver
- _ Selectable fixed output current via DIP switch 150, 180, 200 and 250 mA (pre-selected current 150 mA)
- _ Max. output power 10.5 W
- _ Nominal lifetime up to 100,000 h

Housing properties

- _ Casing: polycarbonate, white
- _ Type of protection IP20

Functions

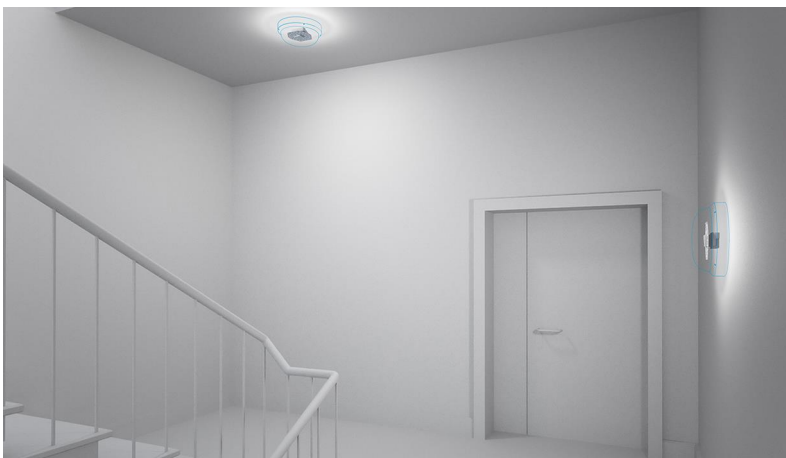
- _ Overload protection
- _ Short-circuit protection
- _ No-load protection

Typical applications

- _ For spot light and downlight in retail and hospitality applications
- _ For panel light and area light in office and education application

Website

<http://www.tridonic.com/87501081>



Spotlights



Downlights



Linear



Area



Floor | Wall



Free-standing



Street



Decorative

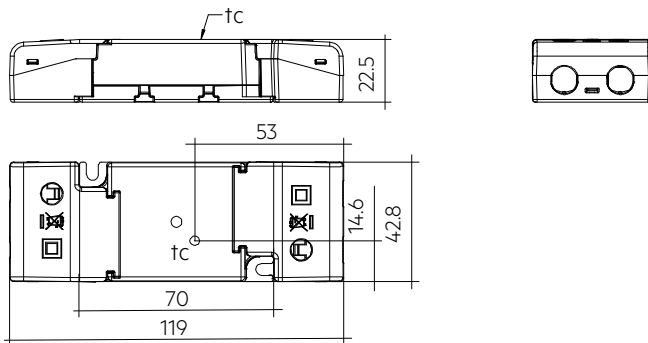
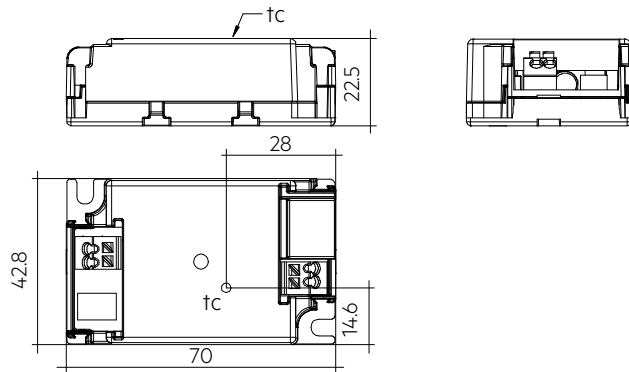


High bay

Driver LC 10W 150-250mA flexC SC SNC4

essence series

The complete data sheet for this product is available in the Downloads section.



Ordering data

Type	Article number	Packaging, carton	Packaging, pallet	Packaging, high volume	Weight per pc.
LC 10/150-250/42 flexC SC SNC4	87501081	50 pc(s).	1,300 pc(s).	7,800 pc(s).	0.042 kg

Technical data

Rated supply voltage	220 – 240 V
AC voltage range	198 – 264 V
Max. input current (at 230 V, 50 Hz, full load)	0.055 A
Mains frequency	50 / 60 Hz
Overvoltage protection	320 V AC, 2 h
Typ. power consumption (at 230 V, 50 Hz, full load) ^①	12.5 W
Min. output power	3.6 W
Max. output power	10.5 W
Typ. efficiency (at 230 V, 50 Hz, full load) ^①	80.5 %
λ over full operating range (max.) ^①	0.95
λ over full operating range (min.)	0.75C
Output current tolerance ^②	± 10 %
Max. output current peak ^③	≤ output current + 12 %
Max. output voltage (U-OUT)	55 V
THD (at 230 V, 50 Hz, full load) ^①	< 15 %
Output LF current ripple (< 120 Hz)	± 5 %
Output P_ST_LM (at full load)	≤ 1
Output SVM (at full load)	≤ 0.4
Starting time (at 230 V, 50 Hz, full load)	≤ 0.5 s
Turn off time (at 230 V, 50 Hz, full load)	≤ 0.5 s
Hold on time at power failure (output)	0 s
Ambient temperature ta (at lifetime 50,000 h)	50 °C
Storage temperature ts	-40 ... +80 °C
Mains burst capability	1 kV
Mains surge capability (between L - N)	1 kV
Mains surge capability (between L/N - PE)	2 kV
Surge voltage at output side (against PE)	3 kV
Lifetime	up to 100,000 h G
Dimensions L x W x H	70 x 43 x 22.5 mm

Approval marks**Standards**

EN 55015, EN 61000-3-2, EN 61000-3-3, EN 61347-1, EN 61347-2-13, EN 61547, EN 62384

Specific technical data

Type	Output current ^②	Min. output voltage	Max. output voltage	Max. output power	Typ. power consumption n (at 230 V, 50 Hz, full load)	Typ. current consumption n (at 230 V, 50 Hz, full load)	Efficiency (at 230 V, 50 Hz, full load)	tc point ^④ max.	Ambient temperature ^④ ta	I-out select
LC 10/150-250/42 flexC SC SNC4	150 mA	24 V	42 V	6.3 W	8.5 W	40 mA	78.0 %	70 °C	-20 ... +50 °C	1=off / 2=off
LC 10/150-250/42 flexC SC SNC4	180 mA	24 V	42 V	7.6 W	10.0 W	45 mA	79.0 %	75 °C	-20 ... +50 °C	1=on / 2=off
LC 10/150-250/42 flexC SC SNC4	200 mA	24 V	42 V	8.4 W	11.0 W	48 mA	80.0 %	75 °C	-20 ... +50 °C	1=off / 2=on
LC 10/150-250/42 flexC SC SNC4	250 mA	24 V	42 V	10.5 W	12.5 W	55 mA	80.5 %	80 °C	-20 ... +50 °C	1=on / 2=on

① Test result at 250 mA.

② Output current is mean value.

③ Test result at 25 °C.

④ Values for built-in application. For independent application ta max + 40 °C, tc values see data sheet 2.1 Expected life-time.