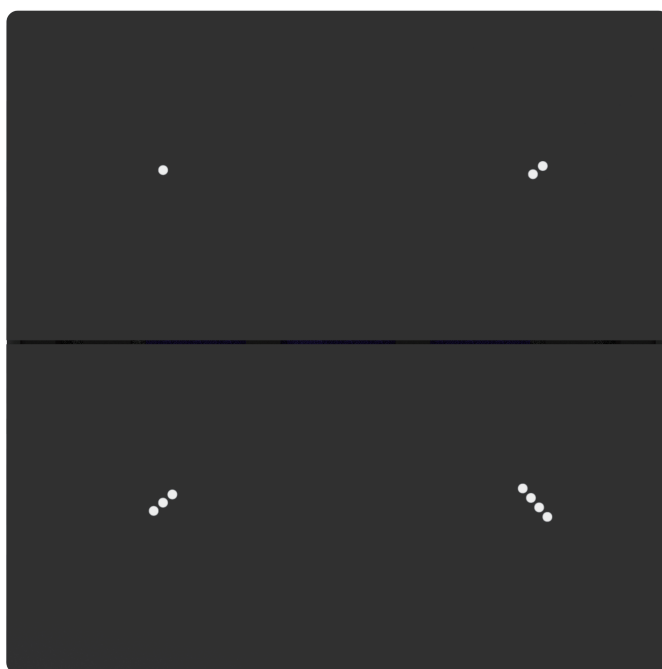


Wandschalter CASAMBI 230V 4 Tasten schwarz Art. 808131

Wandschalter CASAMBI 230V 4 Tasten weiss Art. 808132



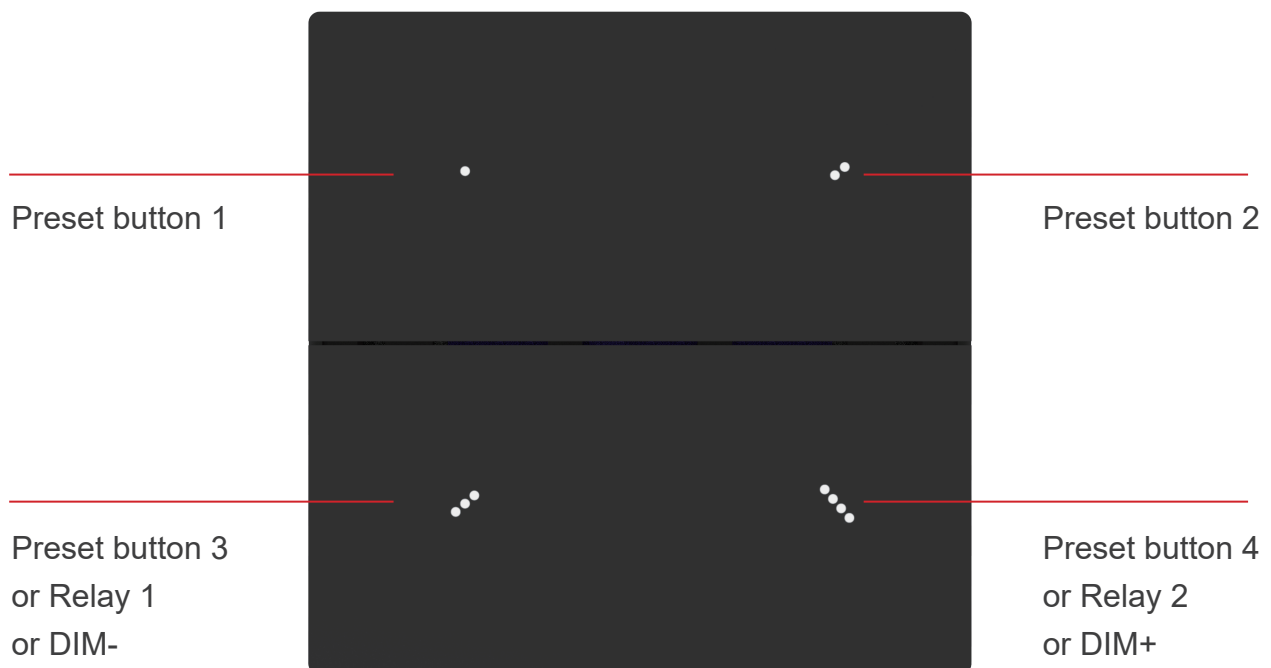
VBA-SSR4

Version V1.0

Product introduction

VBA-SSR4 is a panel controller for CASAMBI wireless, long-range network. The panel includes 4 buttons that can be configured for “4 presets”, “2 presets+ 2 dimmers” or “2 presets+ 2 relays” by 3 different fixture profiles.

It integrates a proximity sensor (Built-in microwave 5.8G module). Device will wake up when there's a hand motion detected within 30 cm, and human motion detected within 80 cm.



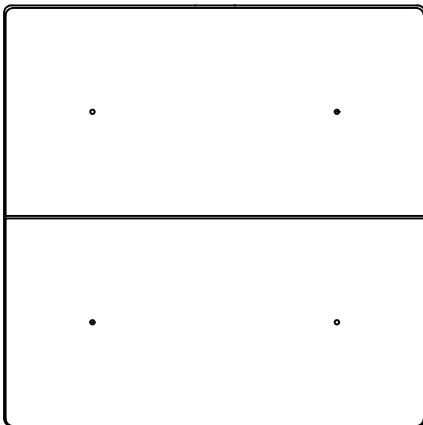
Fixture profiles

Profile#	Profile name /in app description	Description	Remark
33593	VBA-SSR4(Scn)	4K-Scn	4*Scene
33602	VBA-SSR4(Dim)	4K-Dim	2*Scene + Dim-/+
33603	VBA-SSR4(Rly)	4K-Rly	2*Scene + Relay 1/2

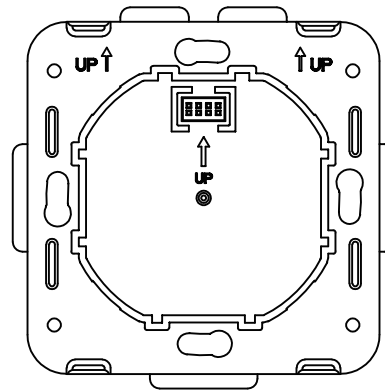
Installation

The VBA-SSR4 is composed of a power supply and a panel, follow the instructions below to install it.

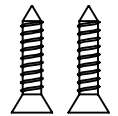
Accessory:



Switch Panel

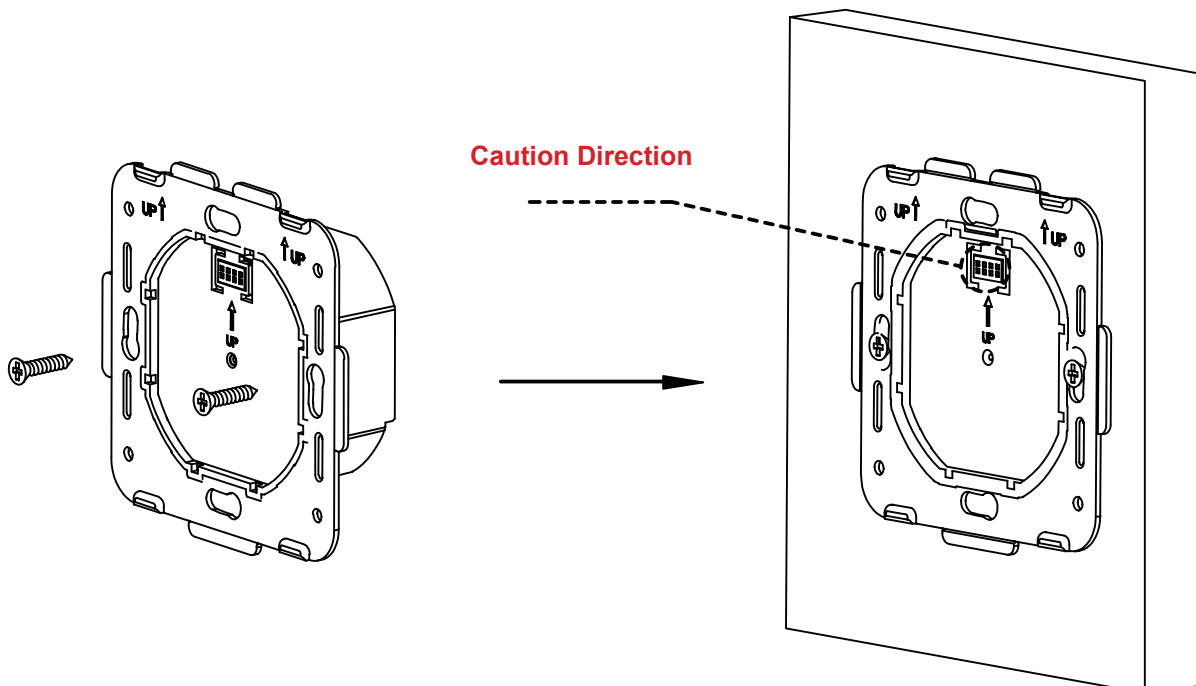


Power Supply

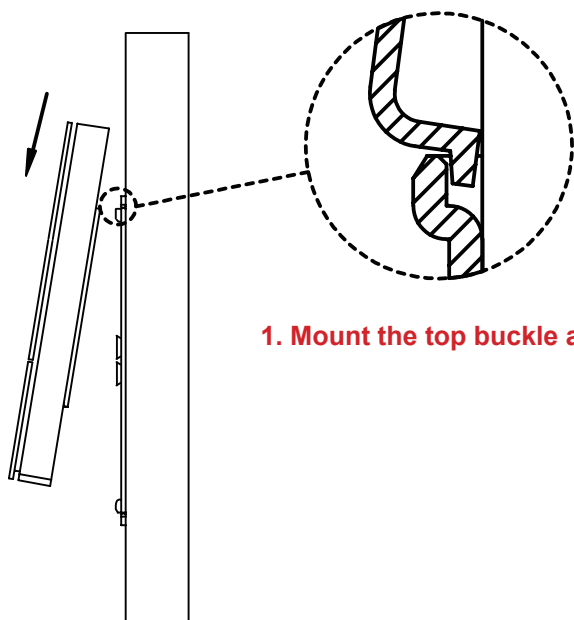


Screw

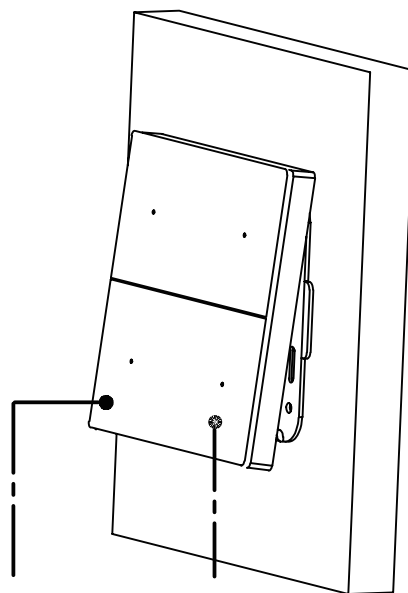
Step 1: Power Supply Assembly



Step 2: Switch Panel Assembly

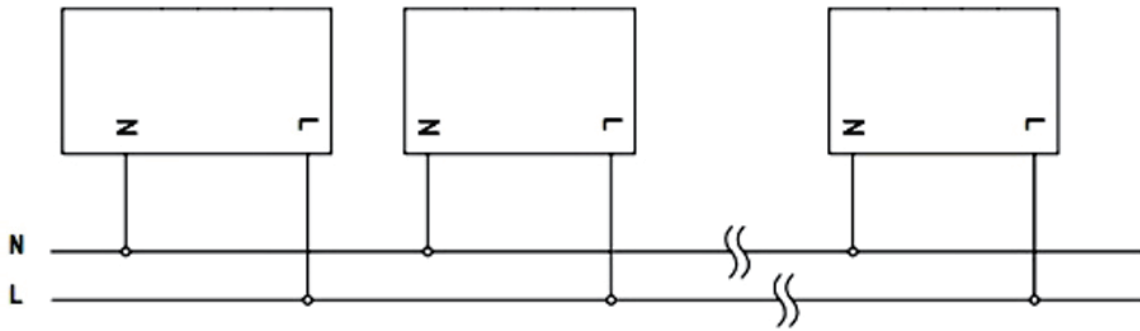


1. Mount the top buckle at an angle.

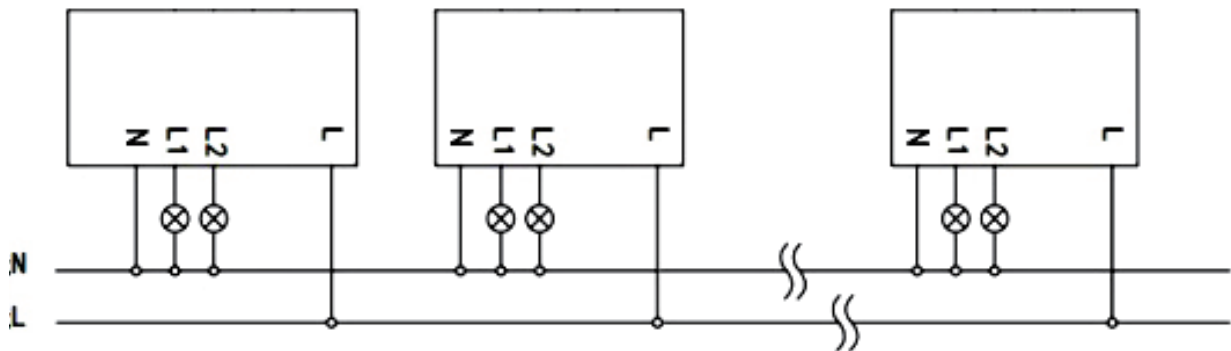


2. Press these two sides to tight the bottom buckles.

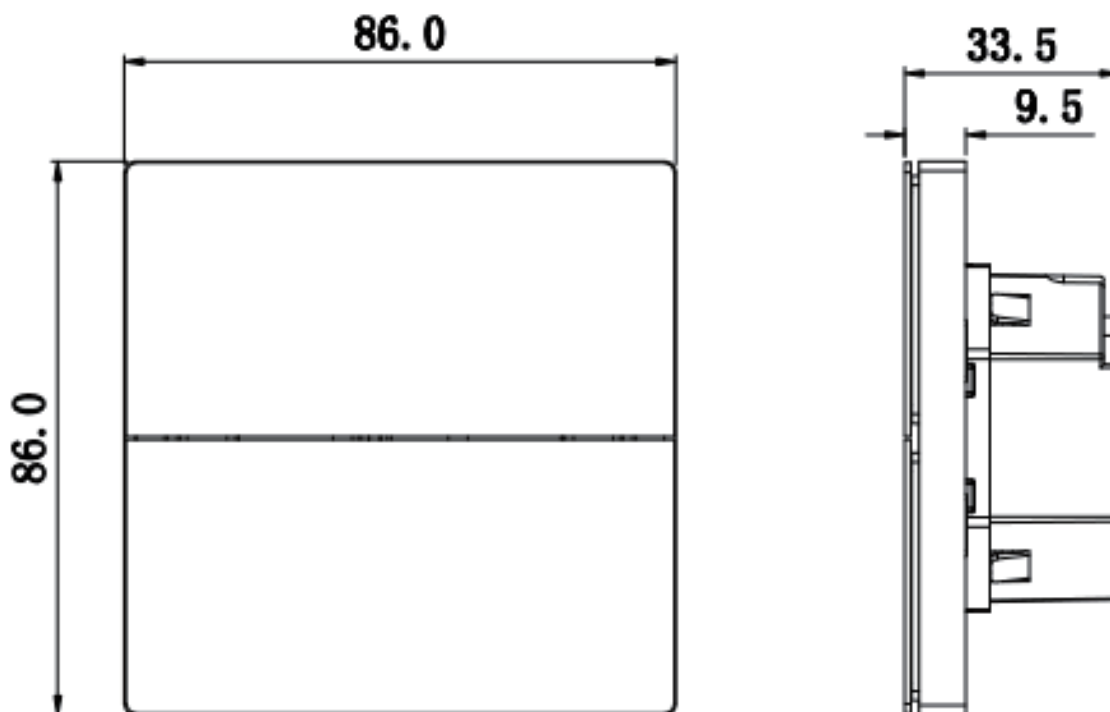
Wiring diagram, 4 presets and 2 presets + 2 dimmers



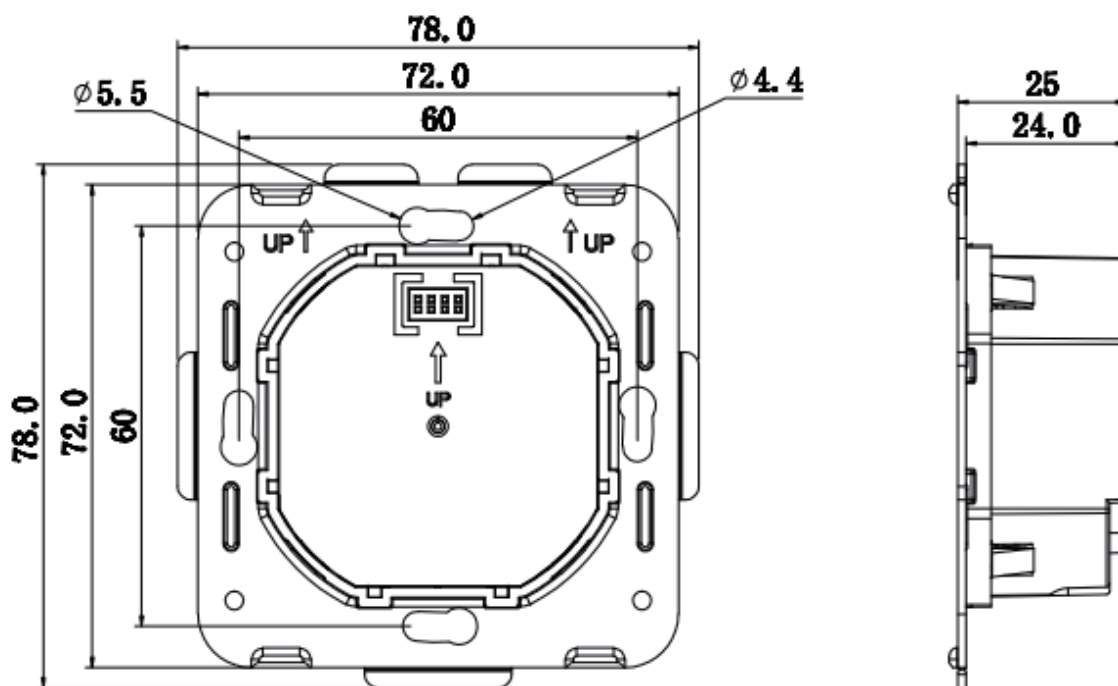
Wiring diagram, 2 presets + 2 relays



Dimensions



Panel Dimensions (86 x 86 x 33.5mm)



Power Supply Dimensions(78x78x25mm)

TECHNICAL DATA

Rated input voltage	<ul style="list-style-type: none"> • 220-240Vac
Pin voltage	<ul style="list-style-type: none"> • 3.3Vdc
Relay output voltage	<ul style="list-style-type: none"> • 220-240Vac
Relay peak power	<ul style="list-style-type: none"> • L1: LED driver / Incandescent lamp 300W • L2: LED driver / Incandescent lamp 300W
Ambient temperature t_a	<ul style="list-style-type: none"> • 0°C... +50°C
Max. casing temperature t_c	<ul style="list-style-type: none"> • 70°C
Storage temperature t_s	<ul style="list-style-type: none"> • -20°C... +60°C
Static electricity	<ul style="list-style-type: none"> • contact +/- 4KV, air +/- 8KV
Surge	<ul style="list-style-type: none"> • differential mode +/- 500V, • common mode +/- 1KV
Network mode	<ul style="list-style-type: none"> • Bluetooth
Operating frequencies	<ul style="list-style-type: none"> • 2.402~2.480Ghz
Maximum output power	<ul style="list-style-type: none"> • + 7 dBm
Mechanical data	<ul style="list-style-type: none"> • Weight: 157 g • Degree of protection: IP20 (indoor use only) • Color: <ul style="list-style-type: none"> White Black Light grey Baby blue Light pink
Lifetime	<ul style="list-style-type: none"> • up to 50000h (5 years)
Wire range, solid	<ul style="list-style-type: none"> • 0.75-2.5mm², 13-20AWG
Wire strip length	<ul style="list-style-type: none"> • 6-8mm
Certifications	<ul style="list-style-type: none"> • CE • RCM

LED indications

Amber light:

On Preset buttons: When there's action detected(key or proximity), light up if selected preset is active.

On Relay buttons : stays on when relay is switched on, and turns off when relay is switched off.

Cyan light:

default background light, light up when there's action detected(key or proximity) and the selected preset is inactive or relay is switched off. The background light can be configured to other colors using Casambi App (as in Figure 1).

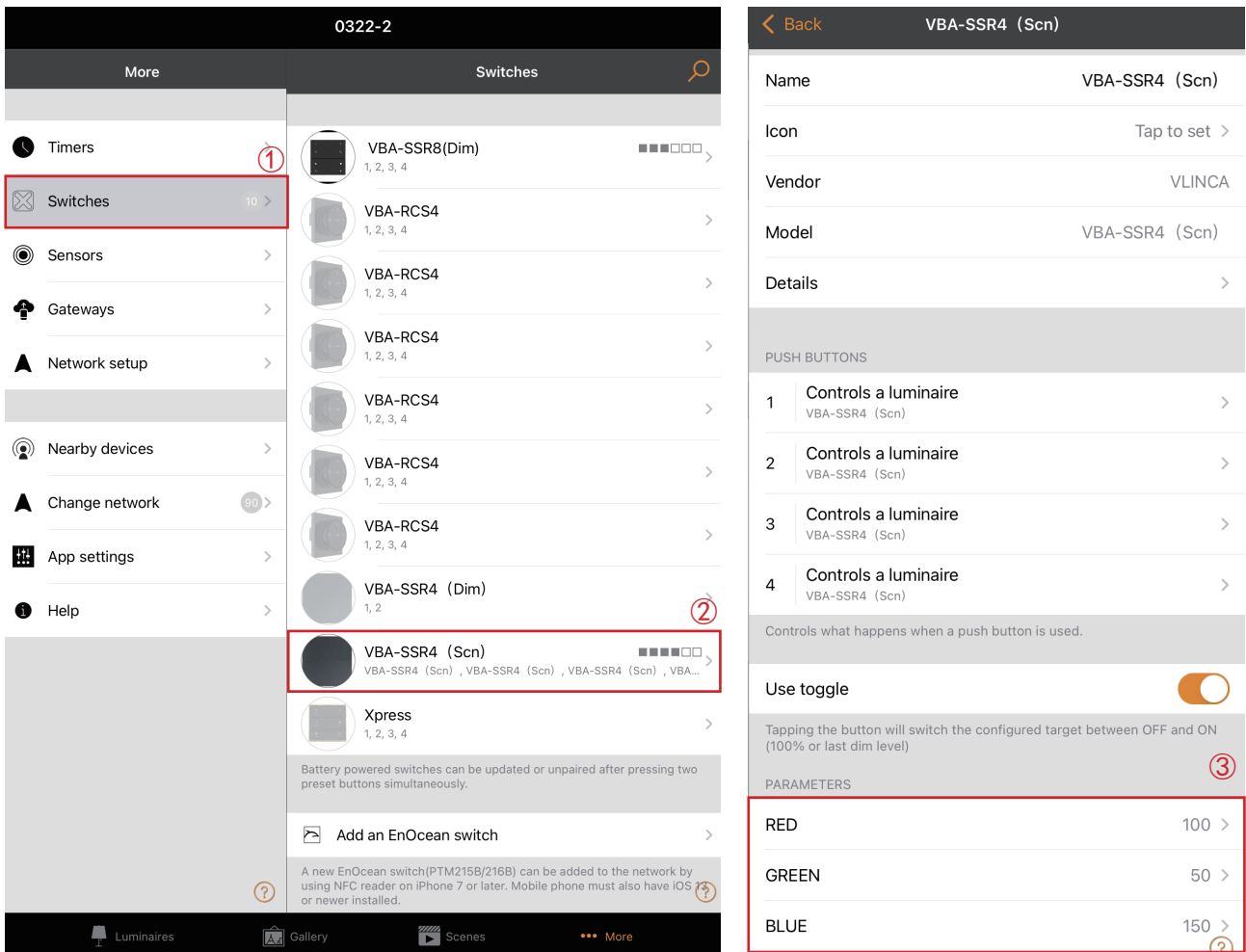


Figure 1

Change fixture profiles

- _ The default fixture profile built in device is “VBA-SSR4(Scn)”.
- _ If need to change the fixture profile, make sure the device is in unpaired status.
- _ Change the fixture profile to “VBA-SSR4 (Dim)” or “VBA-SSR4 (Rly)” according to **Figure 2**.
- _ After fixture profile is changed, restart the device.

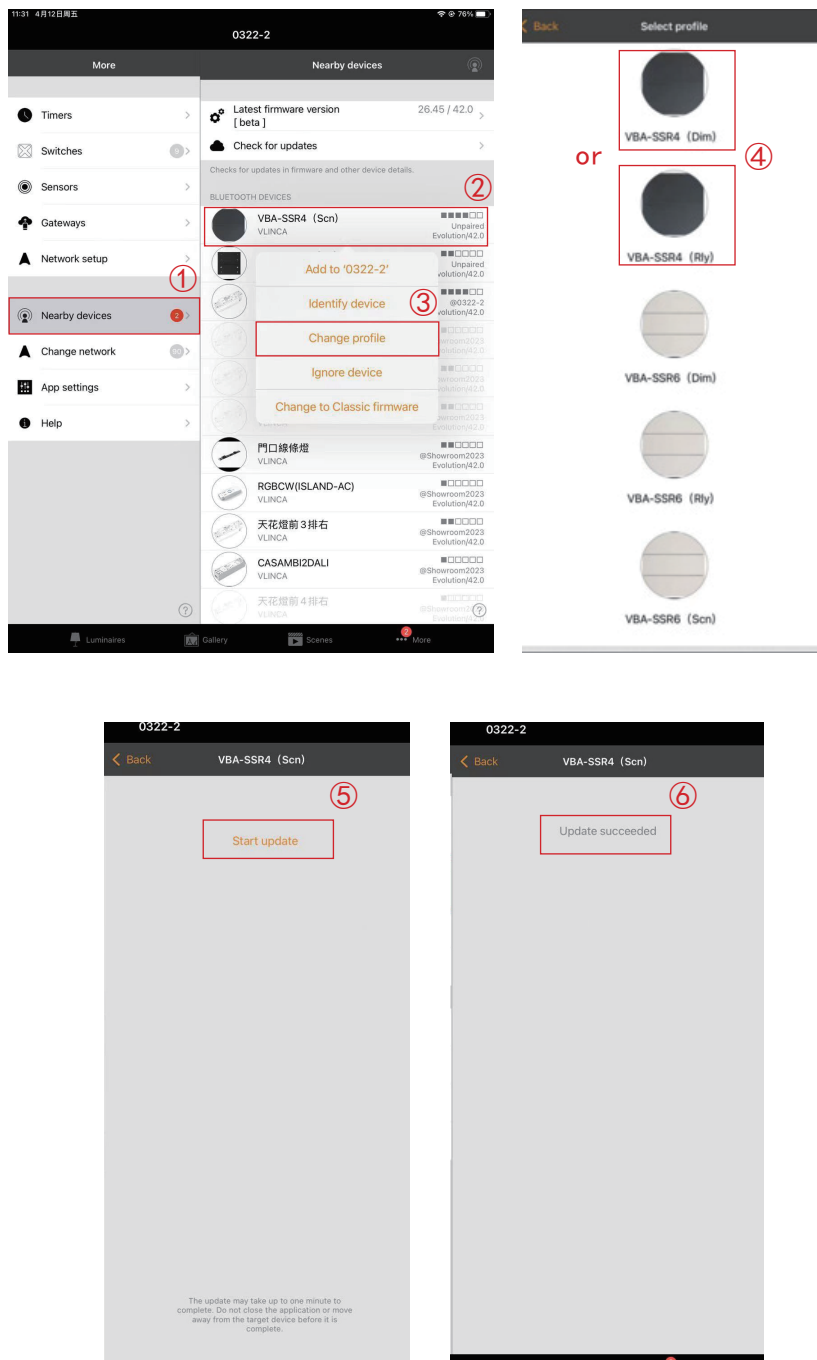


Figure 2

Pair the device into network

After installed the device, it can be seen in “nearby devices”, pair it into your desired network. If it is paired in others' network, follow the steps in **Figure 3**, unpair it first. Tap “unpair device” “Start” in the app, when the progress bar appears, restart the device, then unpaired success.

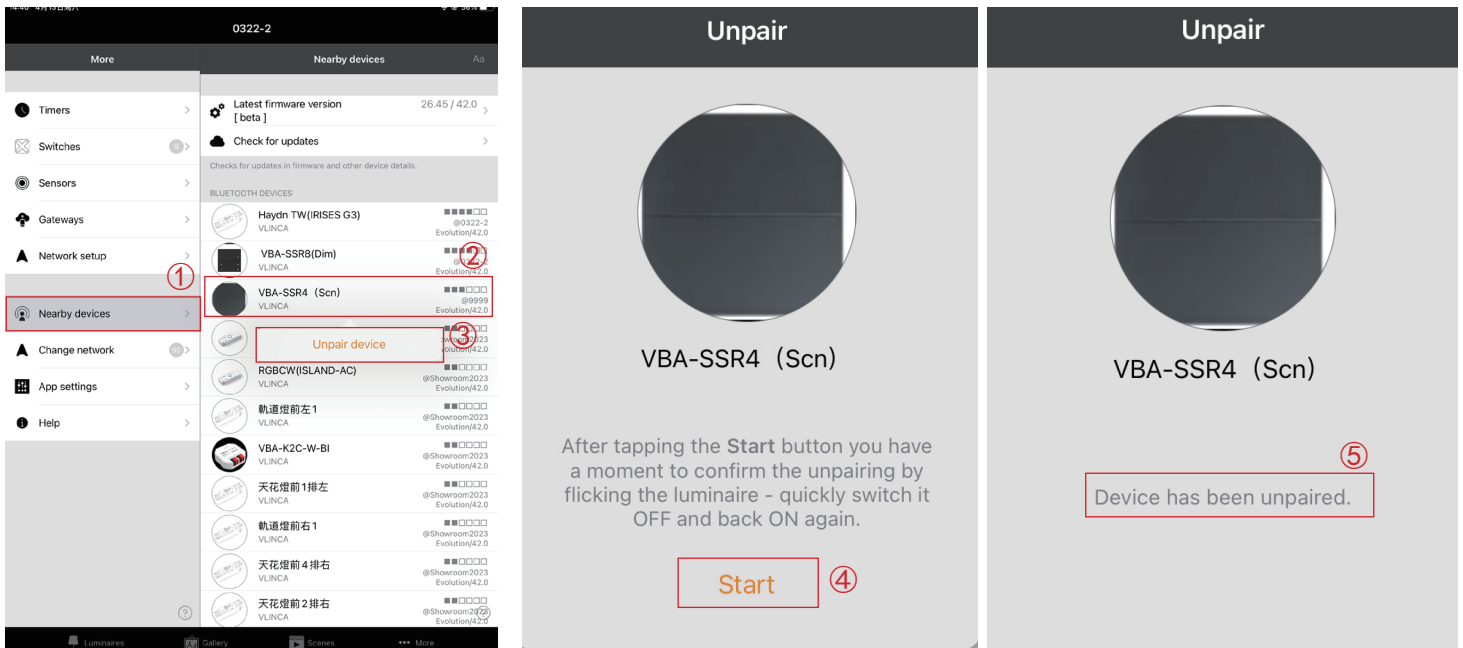


Figure 3

After pair the device into network, it will now be visible in the **Switches** tab (as in **Figure 4**)

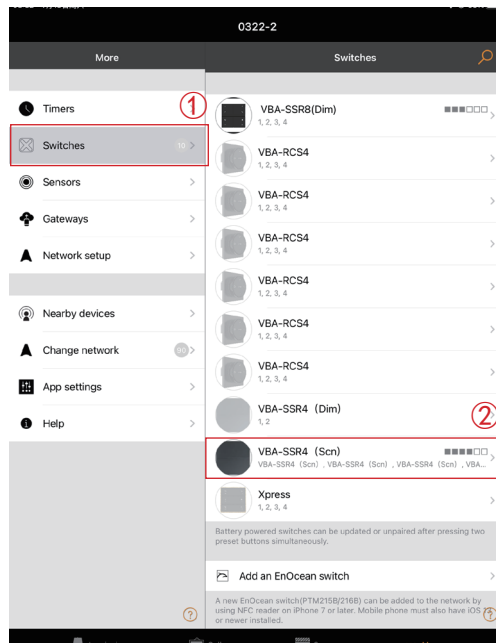


Figure 4

Configure VBA-SSR4

1 configuration: Activate “Use toggle” function(as in Figure 5).

_ When “Use toggle” function is activated, it will allow each preset button to activate/deactivate the programmed action on each preset button press.

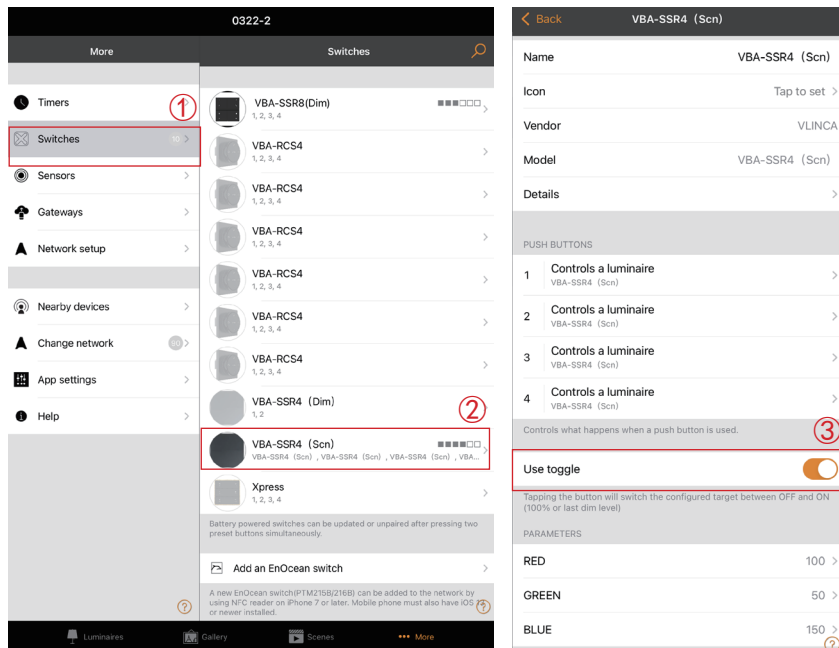


Figure 5

2 configuration: 4 scenes (profile# 33593)

_ Configure button 1&2&3&4 to control 4 scenes, as in **Figure 6**.

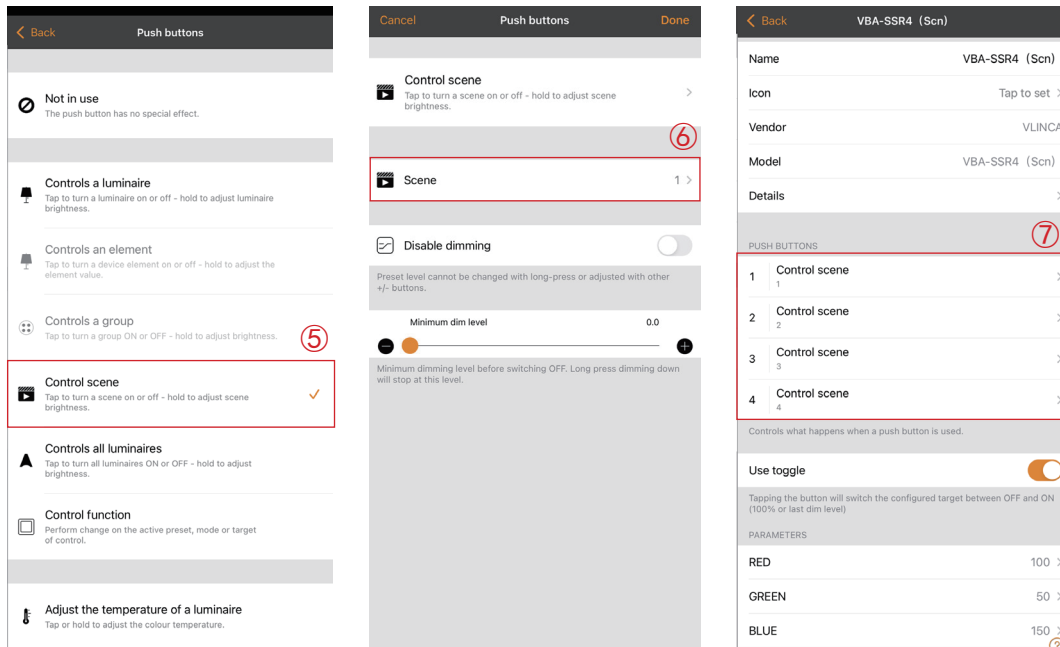
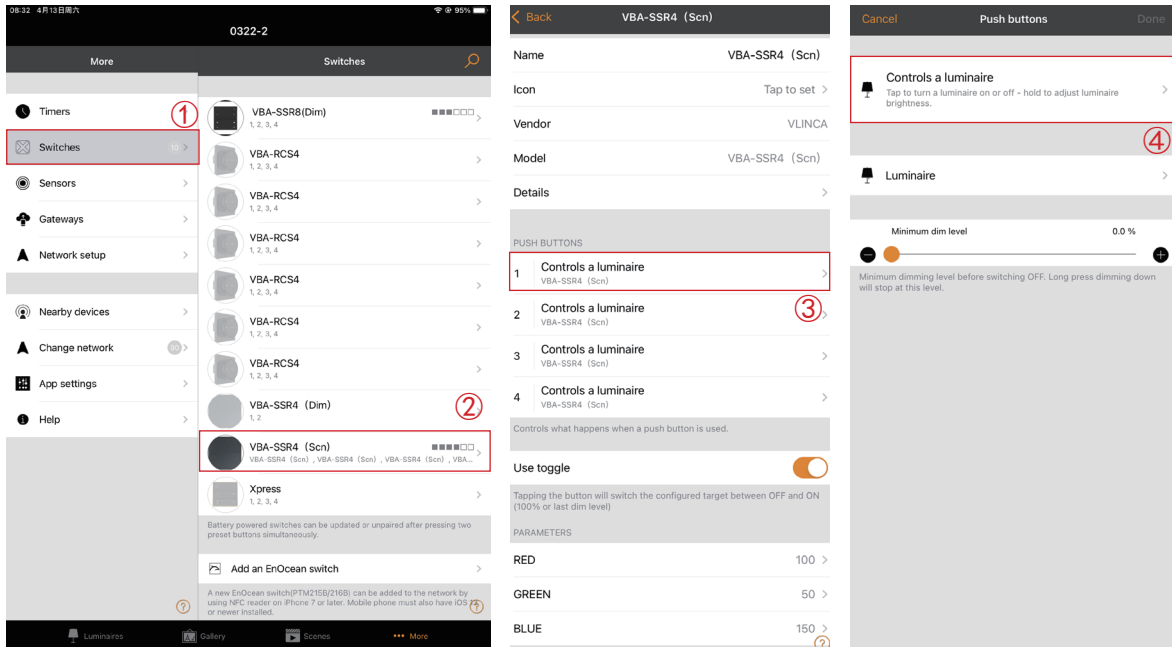


Figure 6

3 configuration: 2 scenes + 2 dimmers (profile# 33602)

- _ Configure button 1&2 to control 2 scenes, as in **Figure 7**.
- _ Button 3 as “Dim down”, tap for step dimming, long press for continuous dimming.
- _ Button 4 as “Dim up”, tap for step dimming, long press for continuous dimming.

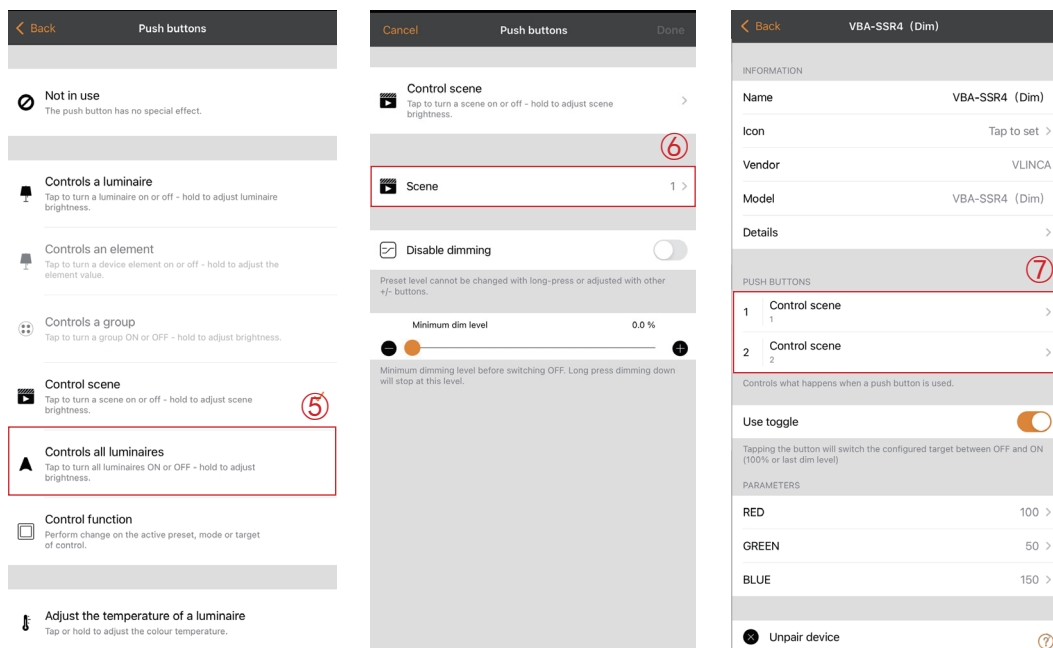
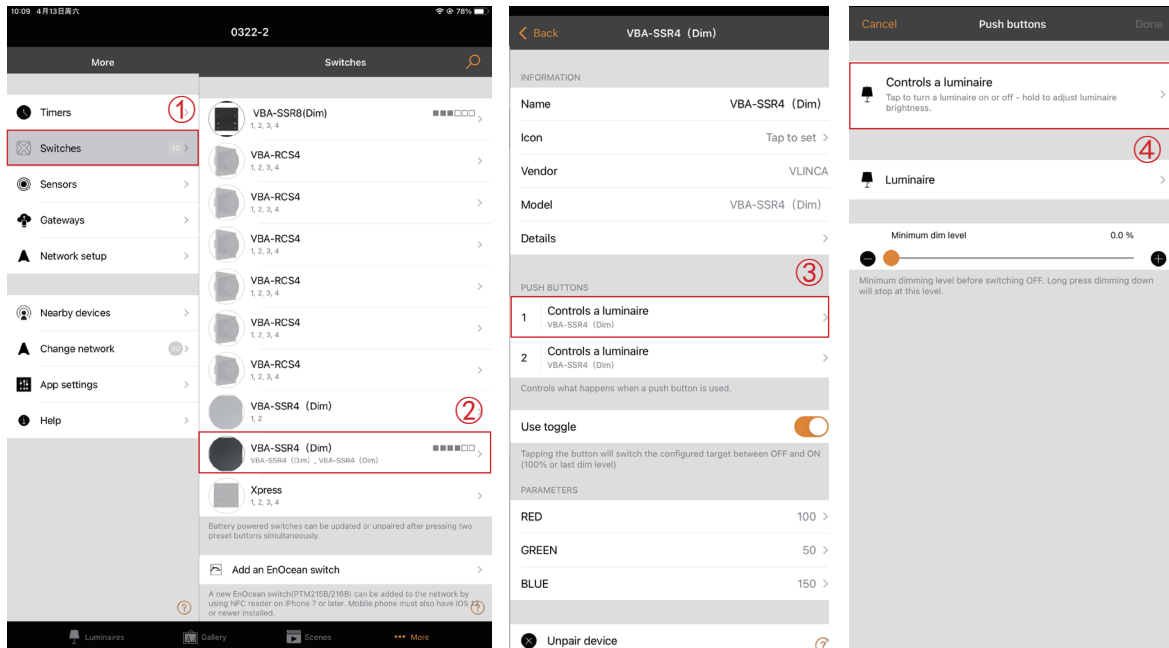


Figure 7

4 configuration: 2 scenes + 2 relays (profile# 33603)

- _ Configure button 1&2 to control 2 scenes, as in **Figure 8**.
- _ Configure button 3&4 to control 2 relays, as in **Figure 9**.

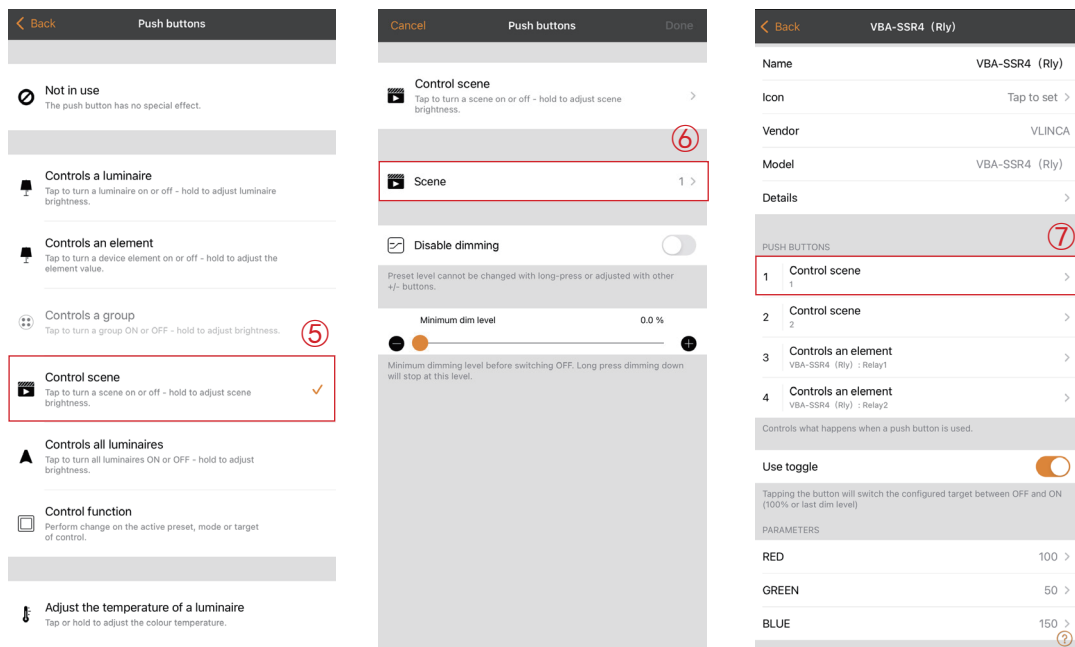
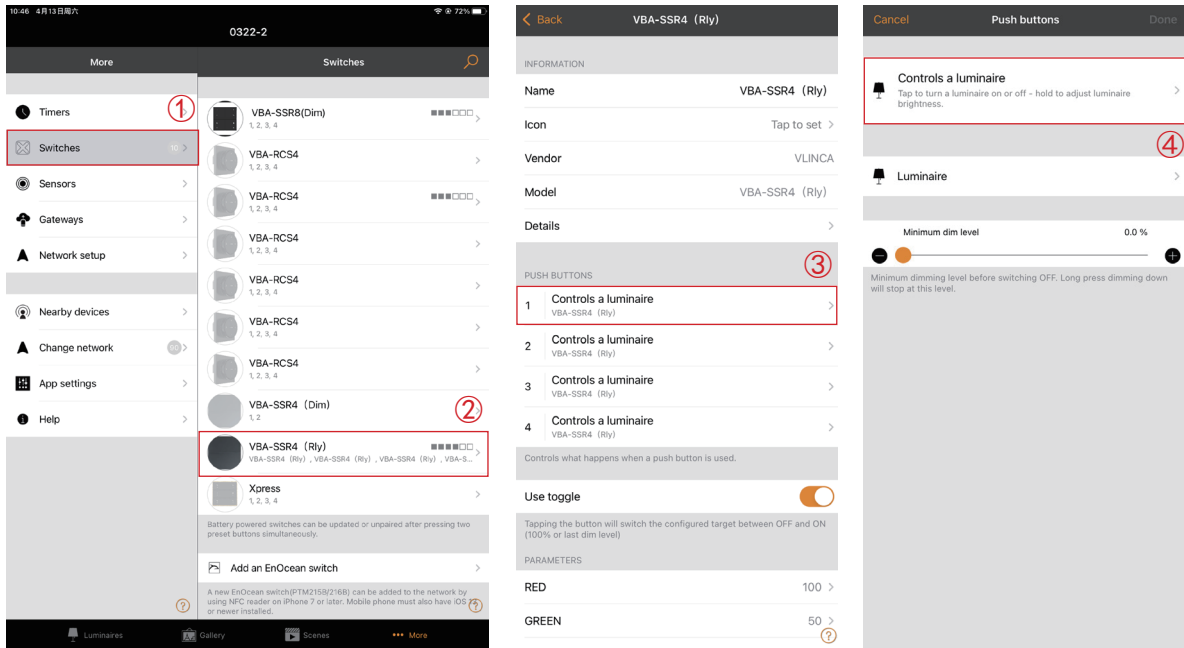


Figure 8

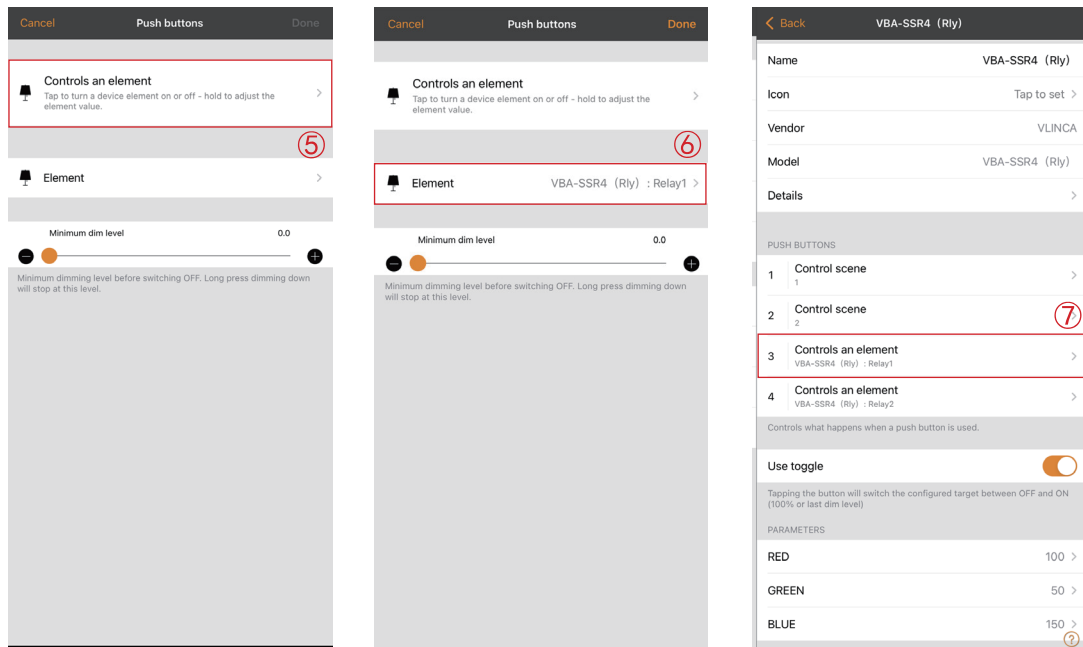
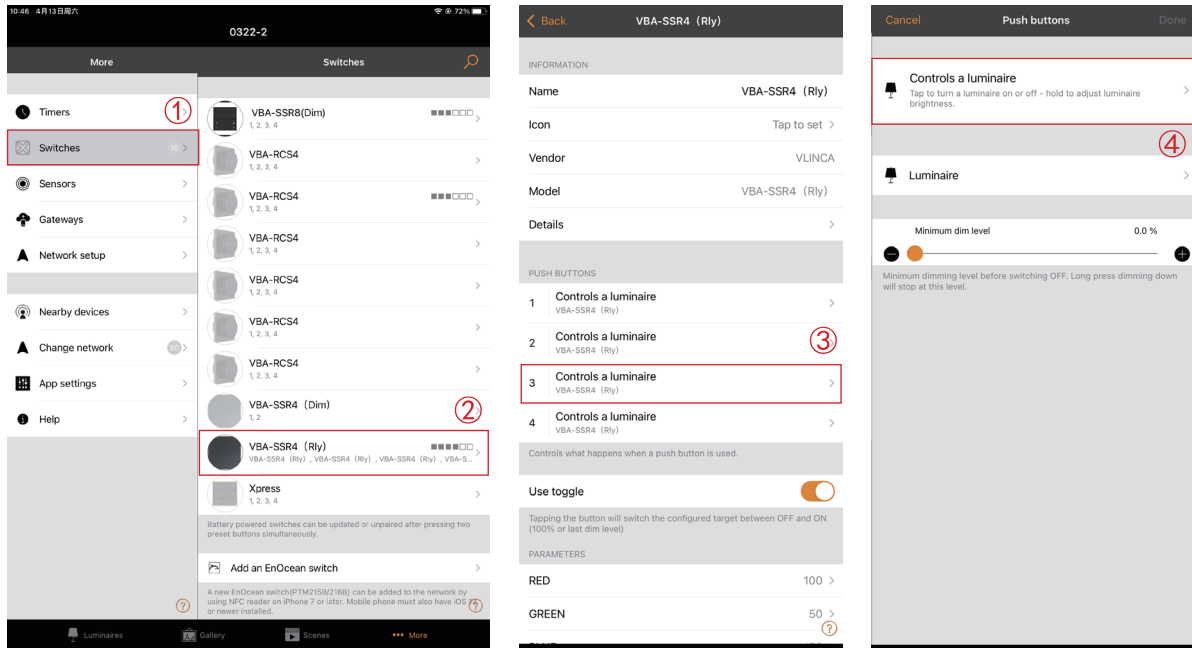


Figure 9

DISPOSAL INSTRUCTIONS In line with EU

Directive 2012/19/EU for waste electrical and electronic equipment (WEEE), this electrical product must not be disposed of as unsorted municipal waste. Please dispose of this product by returning it to the point of sale or to your local municipal collection point for recycling.

COMPLIANCE STATEMENT

VLINCA declares that the VBA-SSR4 fully complies with Directive 2014/53/EU.

Revision record

Version	Remark	Revision date
V1.0	Newly formulate	July 20, 2024