

Wandschalter CASAMBI 230V 6 Tasten schwarz Art. 808681

Wandschalter CASAMBI 230V 4 Tasten weiss Art. 808121



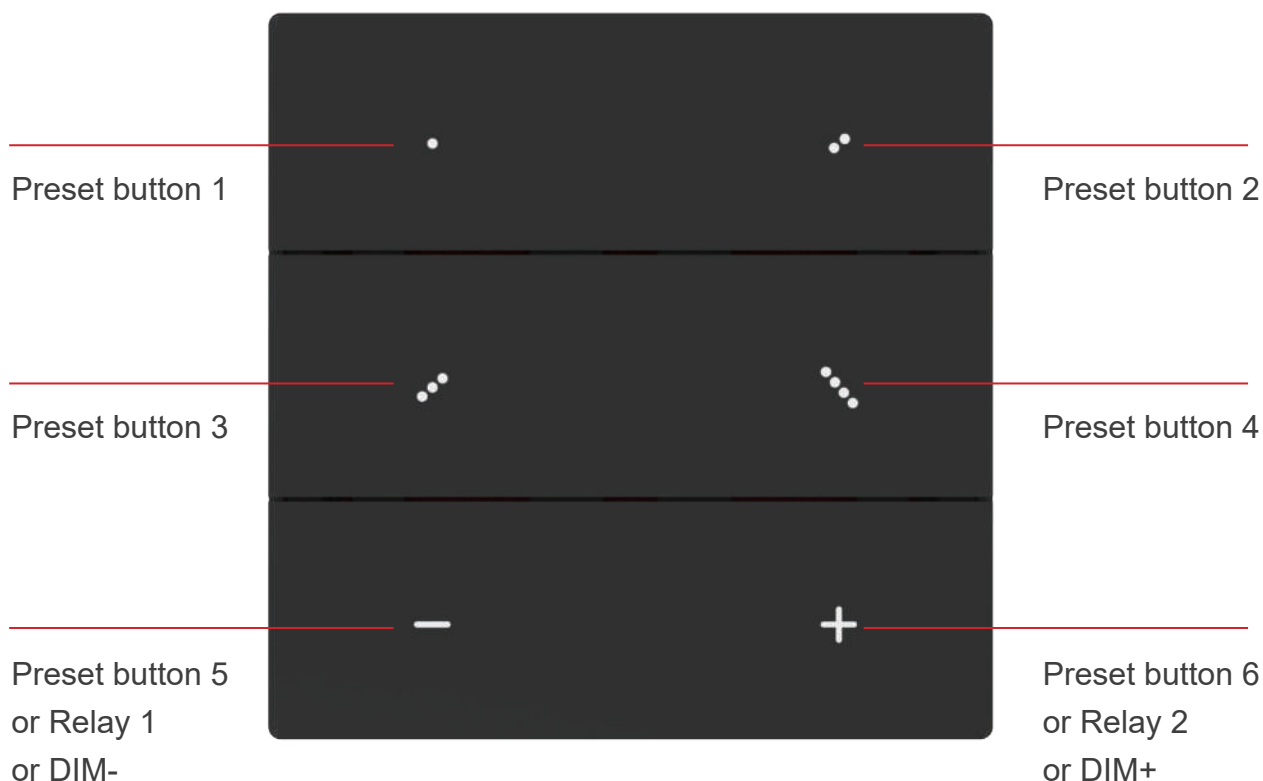
VBA-SSR6

Version V1.0

Product introduction

VBA-SSR6 is a panel controller for CASAMBI wireless, long-range network. The panel includes 6 buttons that can be configured for “6 presets”, “4 presets + 2 dimmers” or “4 presets + 2 relays” by 3 different fixture profile.

It integrates a proximity sensor (Built-in microwave 5.8G module). Device will wake up when there's a hand motion detected within 30 cm, and human motion detected within 80 cm.



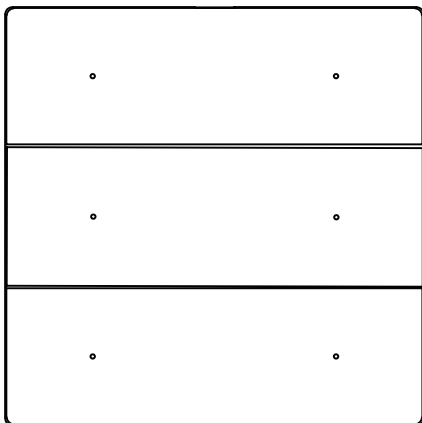
Fixture profiles

Profile#	Profile name /in app description	Description	Remark
33617	VBA-SSR6(Scn)	6K-Scn	6*Scene
33618	VBA-SSR6(Dim)	6K-Dim	4*Scene+Dim-/+
33619	VBA-SSR6(Rly)	6K-Rly	4*Scene+Relay 1/2

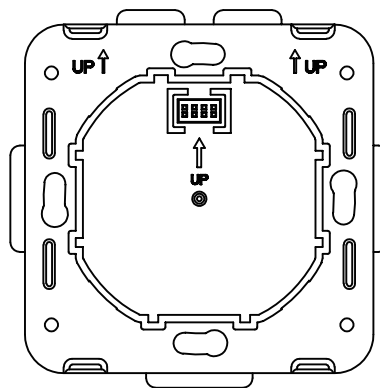
Installation

The VBA-SSR6 is composed of a power supply and a panel, follow the instructions below to install it.

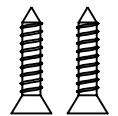
Accessory:



Switch Panel

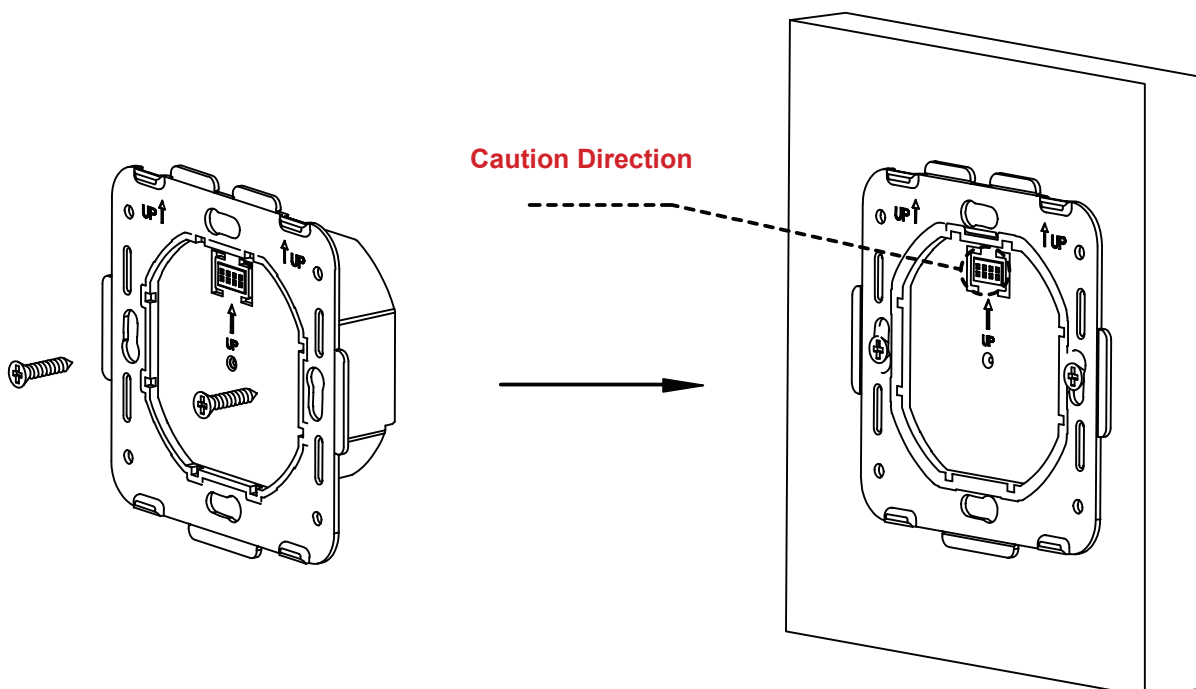


Power Supply

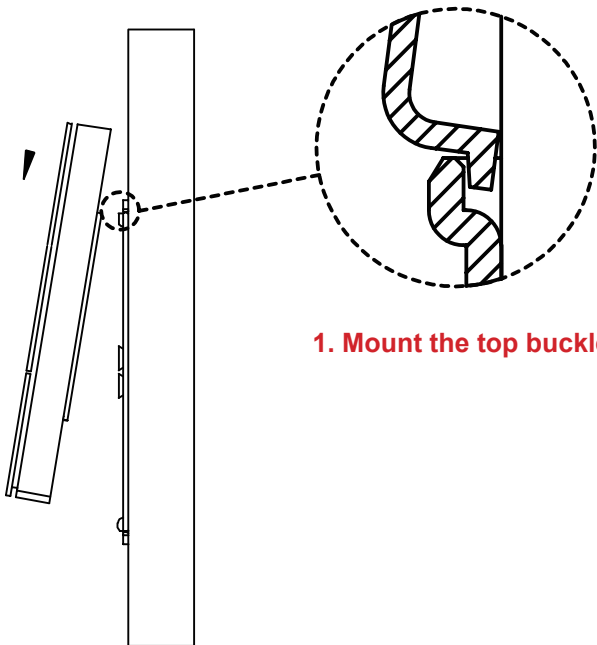


Screw

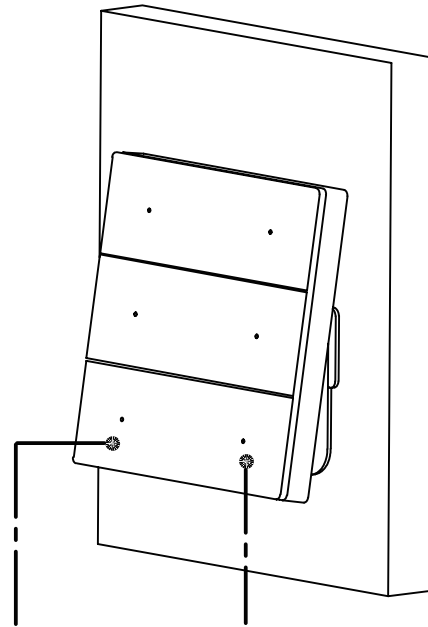
Step 1: Power Supply Assembly



Step 2: Switch Panel Assembly

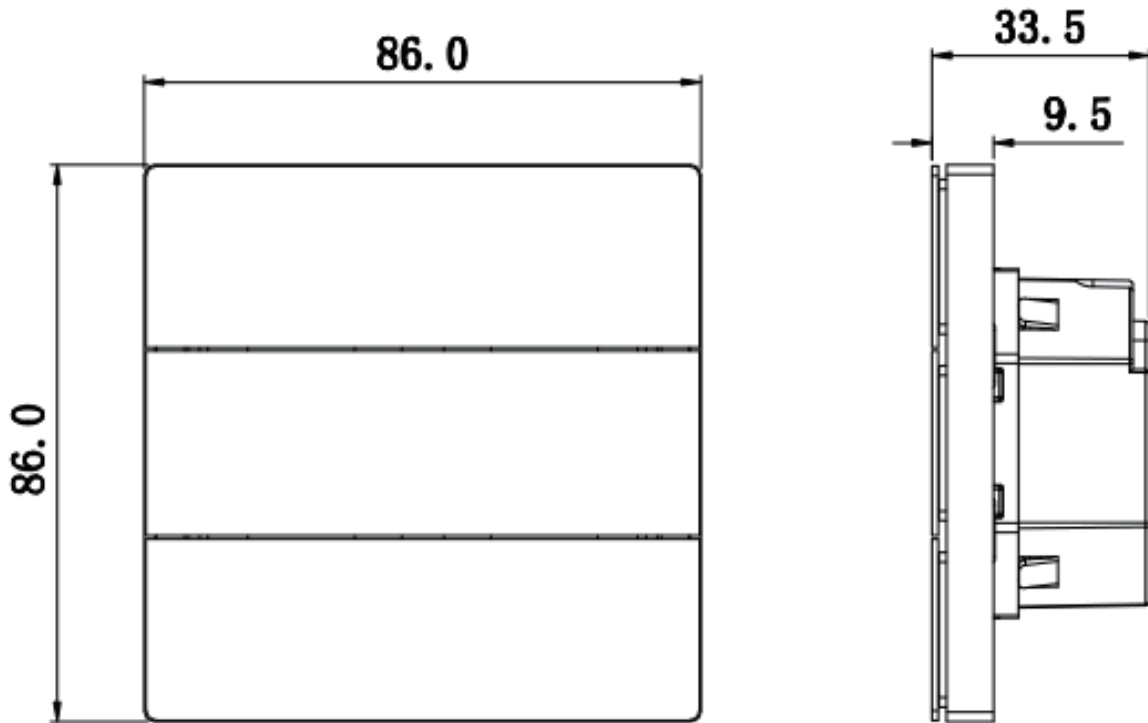


1. Mount the top buckle at an angle.

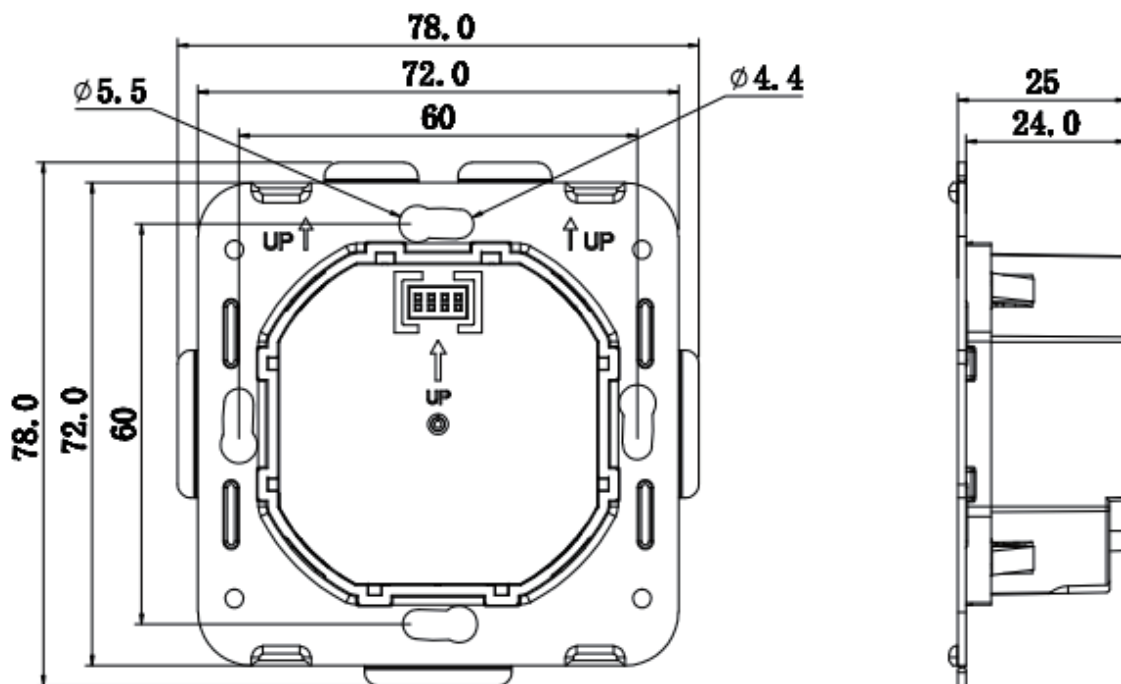


2. Press these two sides to tight the bottom buckles.

Dimensions

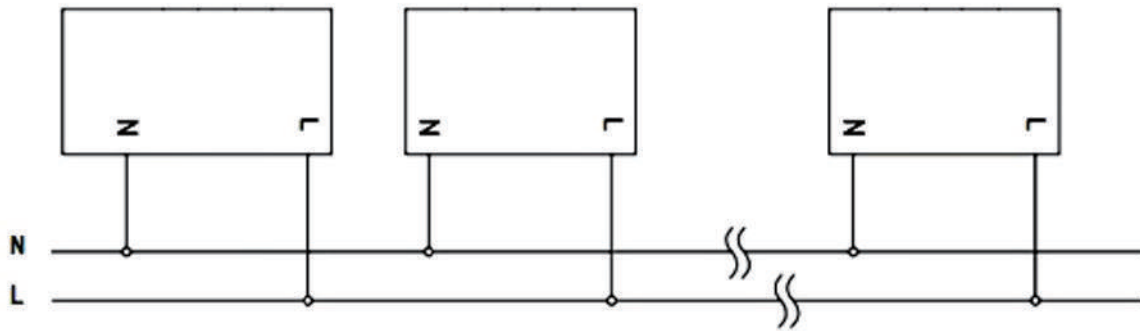


Panel Dimensions (86 x 86 x 33.5mm)

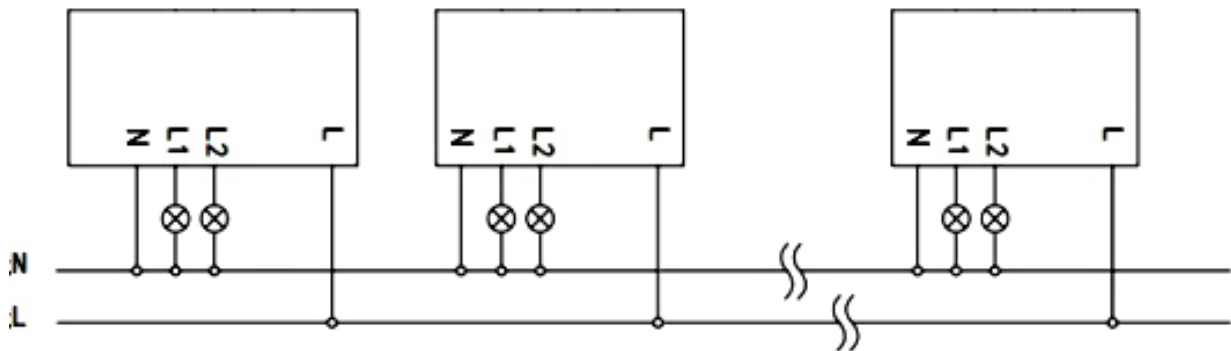


Power Supply Dimensions(78x78x25mm)

Wiring diagram, 6 presets and 4 presets + 2 dimmers



Wiring diagram, 4 presets + 2 relays



TECHNICAL DATA

Rated input voltage	<ul style="list-style-type: none"> • 220-240Vac
Pin voltage	<ul style="list-style-type: none"> • 3.3Vdc
Relay output voltage	<ul style="list-style-type: none"> • 220-240Vac
Relay peak power	<ul style="list-style-type: none"> • L1: LED driver / Incandescent lamp 300W • L2: LED driver / Incandescent lamp 300W
Ambient temperature t_a	<ul style="list-style-type: none"> • 0°C... +50°C
Max. casing temperature t_c	<ul style="list-style-type: none"> • 70°C
Storage temperature t_s	<ul style="list-style-type: none"> • -20°C... +60°C
static electricity	<ul style="list-style-type: none"> • contact +/- 4KV, air +/- 8KV
Surge	<ul style="list-style-type: none"> • differential mode +/- 500V, • common mode +/- 1KV
Network mode	<ul style="list-style-type: none"> • Bluetooth
Operating frequencies	<ul style="list-style-type: none"> • 2.402~2.480Ghz
Maximum output power	<ul style="list-style-type: none"> • + 7 dBm
Mechanical data	<ul style="list-style-type: none"> • Weight: 157 g • Degree of protection: IP20 (indoor use only) • Color: <ul style="list-style-type: none"> White Black Light grey Baby blue Light pink
Lifetime	<ul style="list-style-type: none"> • up to 50000h (5 years)
Wire range, solid	<ul style="list-style-type: none"> • 0.75-2,5mm², 13-20AWG
Wire strip length	<ul style="list-style-type: none"> • 6-8mm
Certifications	<ul style="list-style-type: none"> • CE • RCM

Change profile

- _ The default fixture profile built in device is “VBA-SSR6(Dim)”.
- _ If need to change the fixture profile, make sure the device is in unpaired status.
- _ Change the fixture profile to “VBA-SSR6 (Scn)” or “VBA-SSR6 (Rly)” according to **Figure 1**.
- _ After fixture profile is changed, restart the device.



Figure 1

Pair the device into network

After installed the device, it can be seen in “nearby devices”, pair it into your desired network. If it is paired in others' network, follow the steps in **Figure 2**, unpair it first, tap “unpair device”→”Start” in the app, when the progress bar appears, restart the device, then unpaired success.

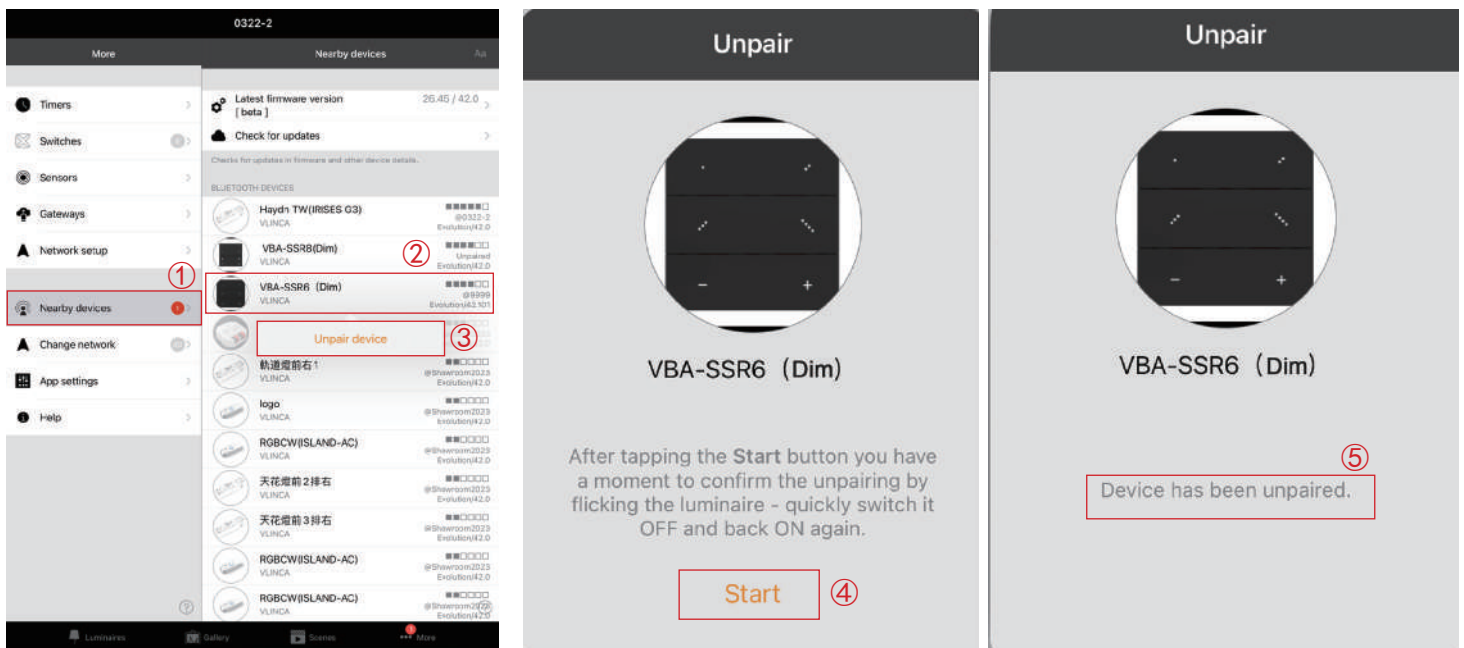


Figure 2

After the device is paired into network, it will now be visible in the Switches tab (as in Figure 3)

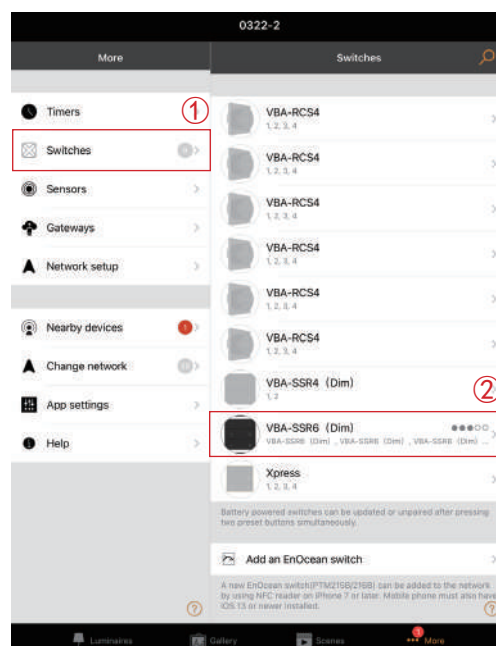


Figure 3

Configure VBA-SSR6

1 Configuration: activate “Use toggle” function(as in Figure 4).

_ When “Use toggle” function is activated, it will allow each preset button to activate/deactivate the programmed action on each preset button press.

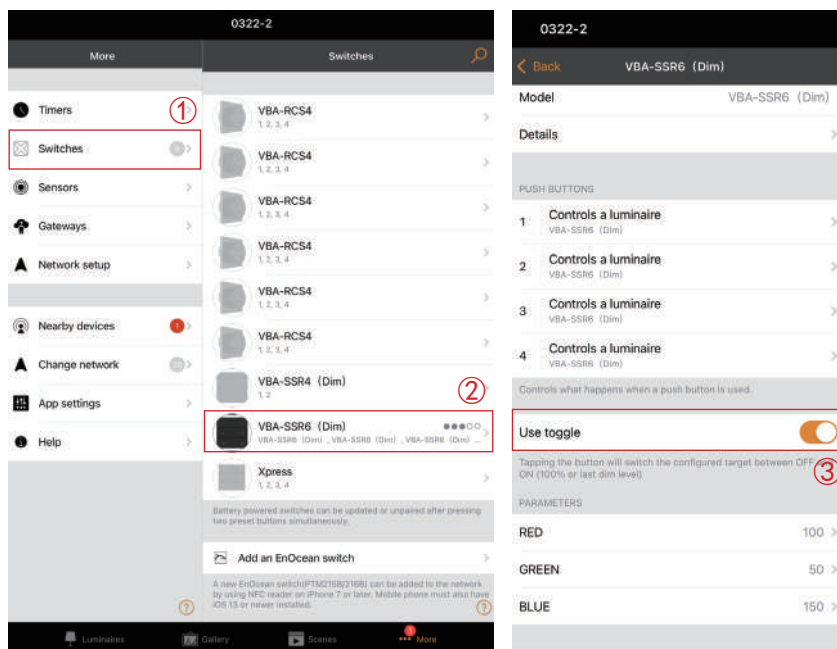


Figure 4

2 Configuration: 6 scenes (profile# 33617)

_ Configure button 1&2&3&4&5&6 to control 6 scenes, as in **Figure 5**.

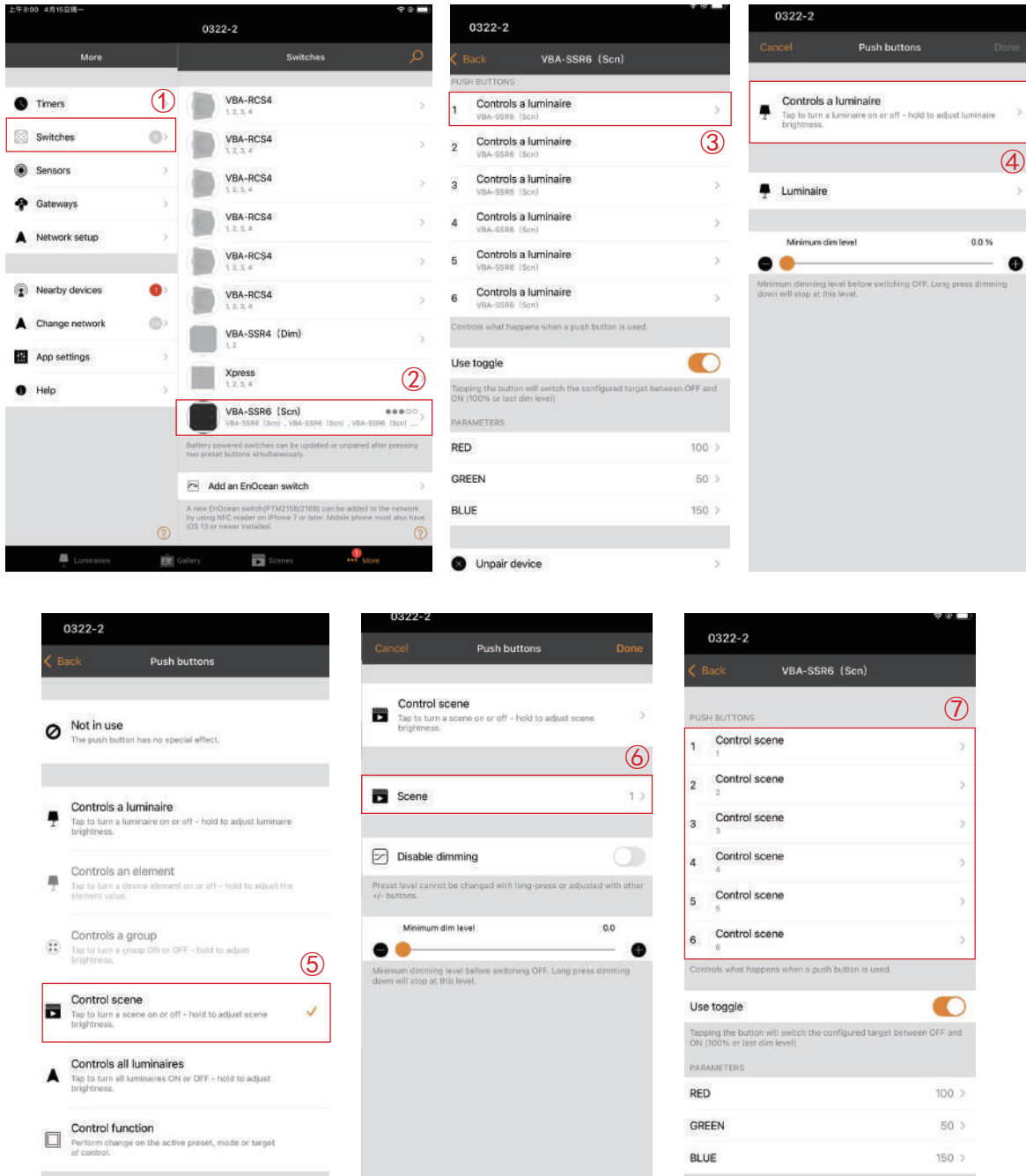


Figure 5

3 Configuration: 4 scenes + 2 dimmers (profile# 33618)

- _ Configure button 1&2&3&4 to control 4 scenes, as in **Figure 6**.
- _ Button 5 as “Dim down”, tap for step dimming, long press for continuous dimming.
- _ Button 6 as “Dim up”, tap for step dimming, long press for continuous dimming.

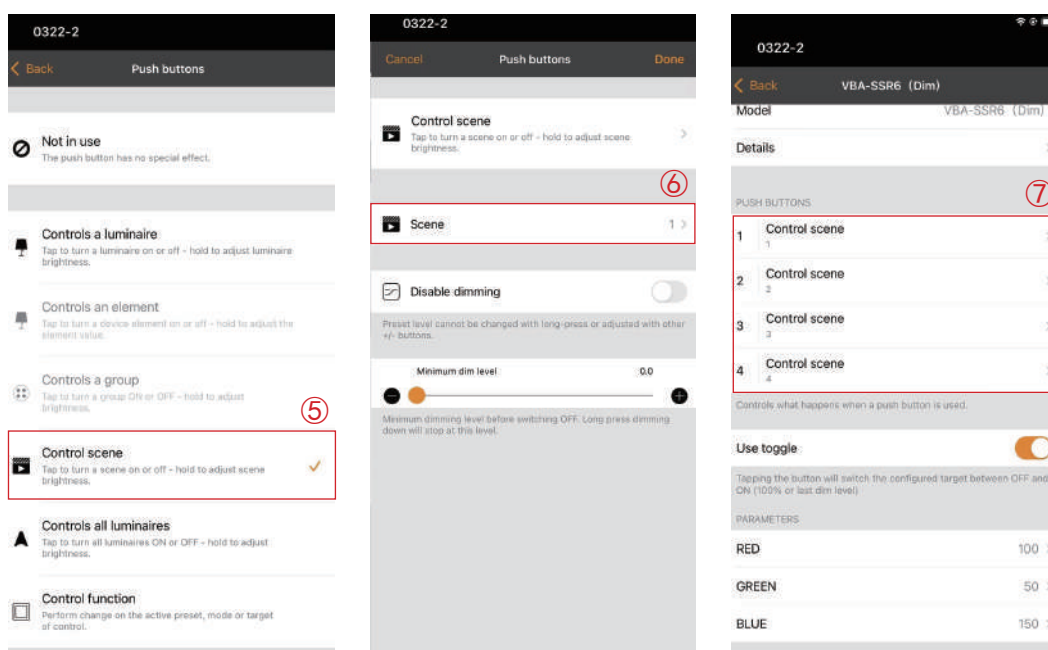
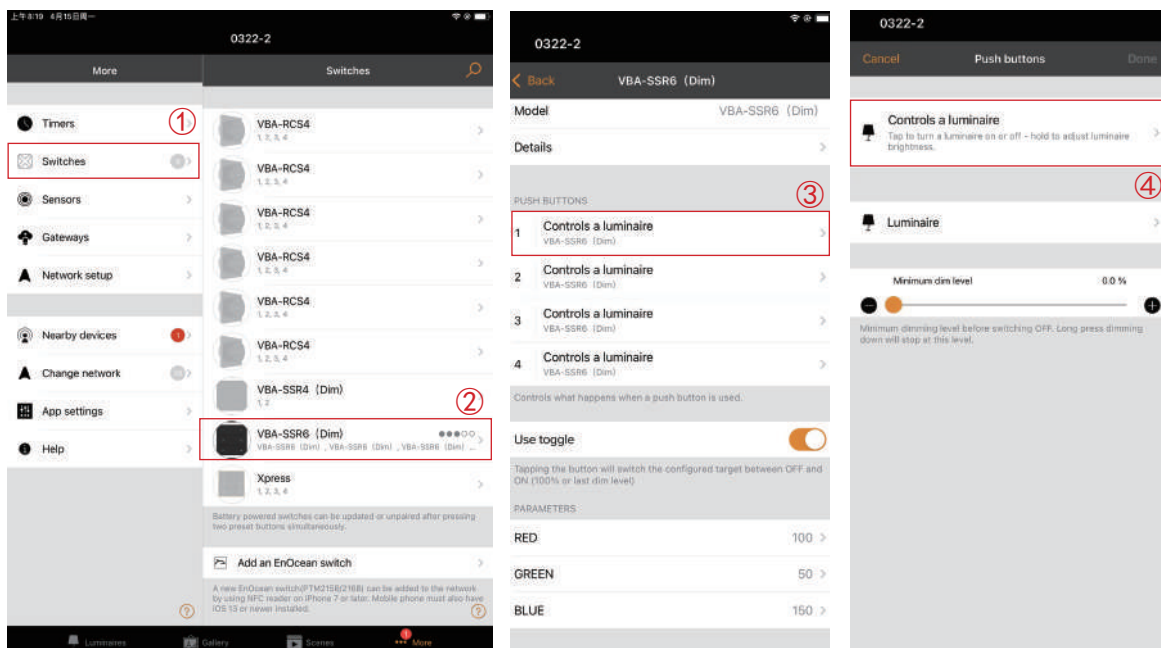


Figure 6

4 Configuration: 4 scenes + 2 relays (profile# 33619)

- _ Configure button 1&2&3&4 to control 4 scenes, as in **Figure 7**.
- _ Configure button 5&6 to control 2 relays, as in **Figure 8**.

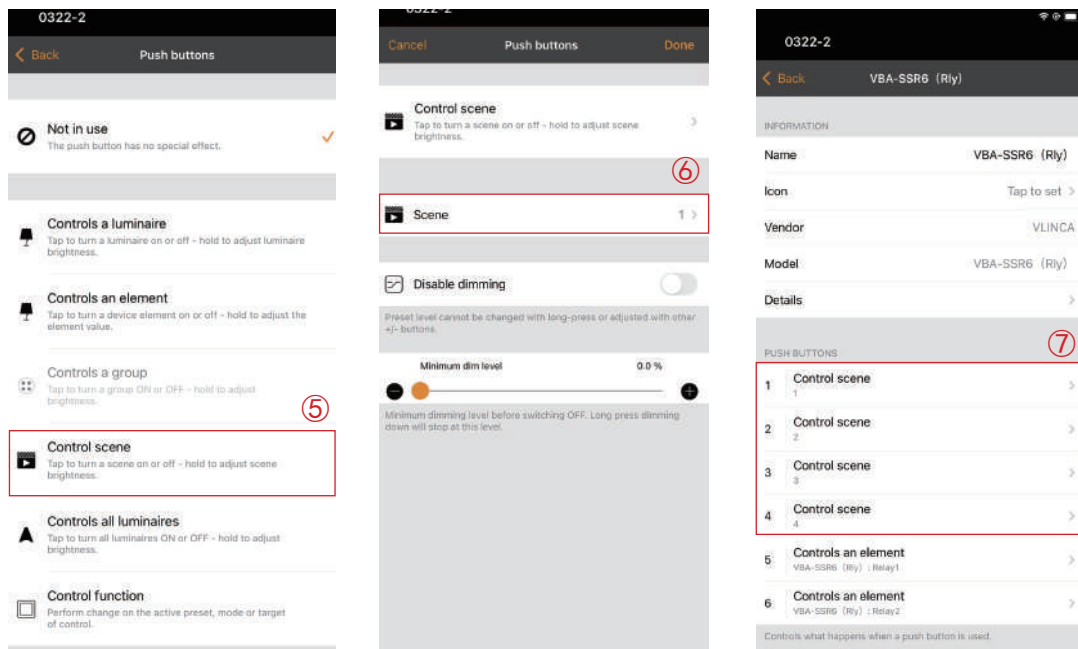
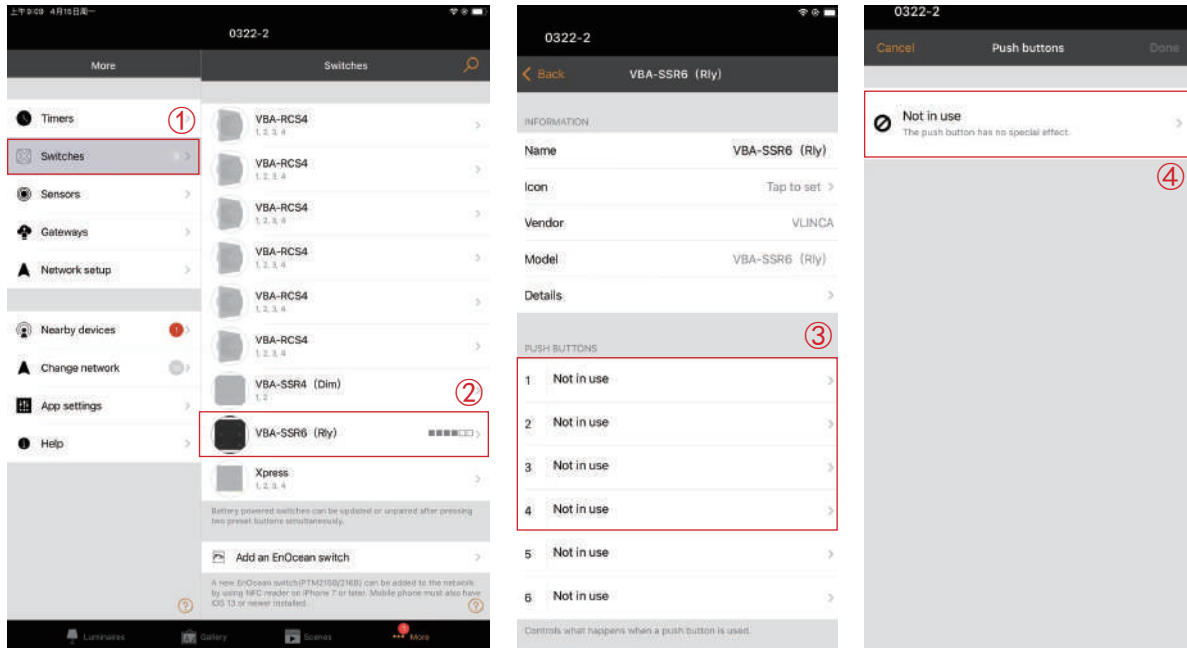


Figure 7

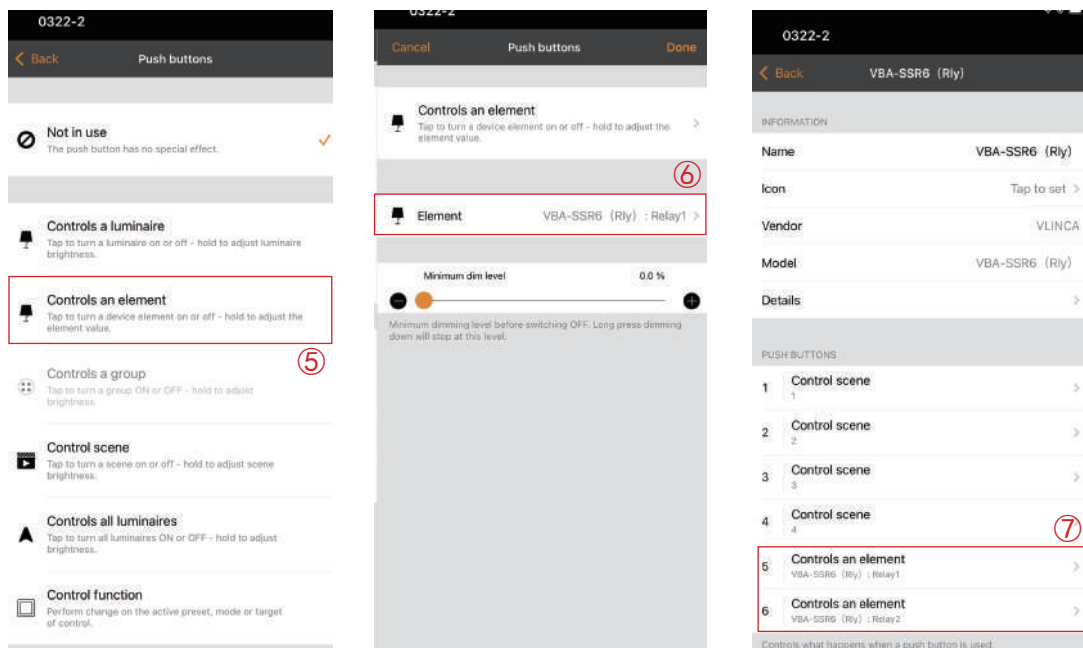
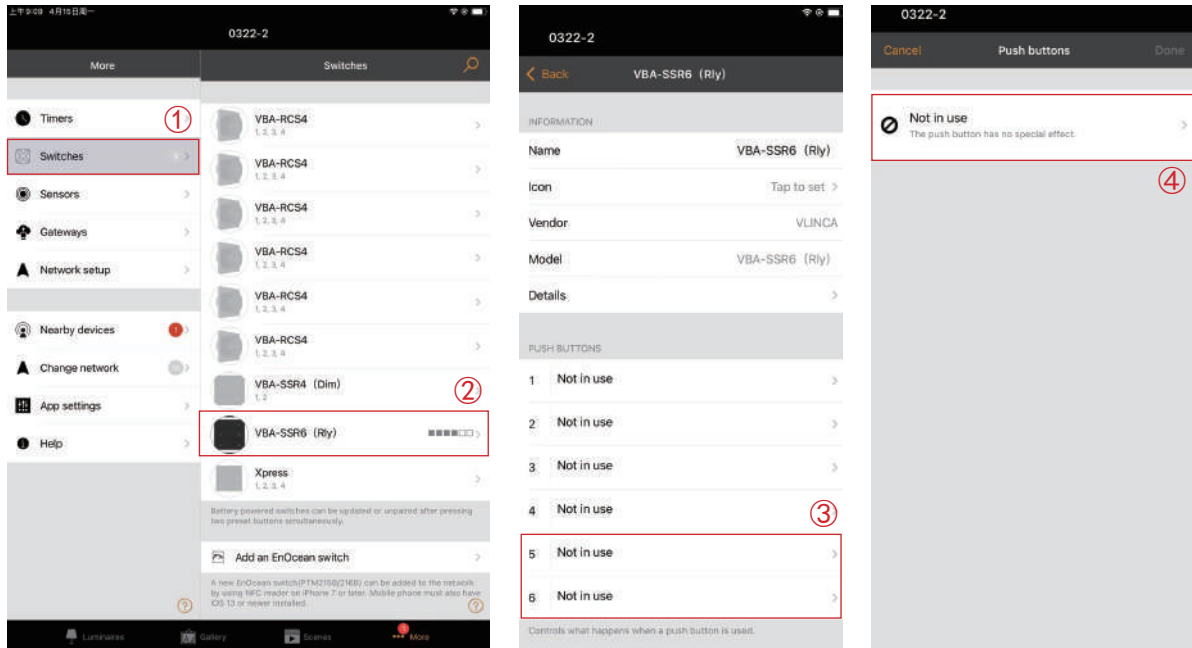


Figure 8

LED indications

Amber light:

On Preset buttons: When there's action detected(key or proximity), light up if selected preset is active.

On Relay buttons : stays on when relay is switched on, and turns off when relay is switched off.

Cyan light:

Default background light, light up when there's action detected(key or proximity) and the selected preset is inactive or relay is switched off. The background light can be configured to other colors using Casambi App (as in Figure 9).

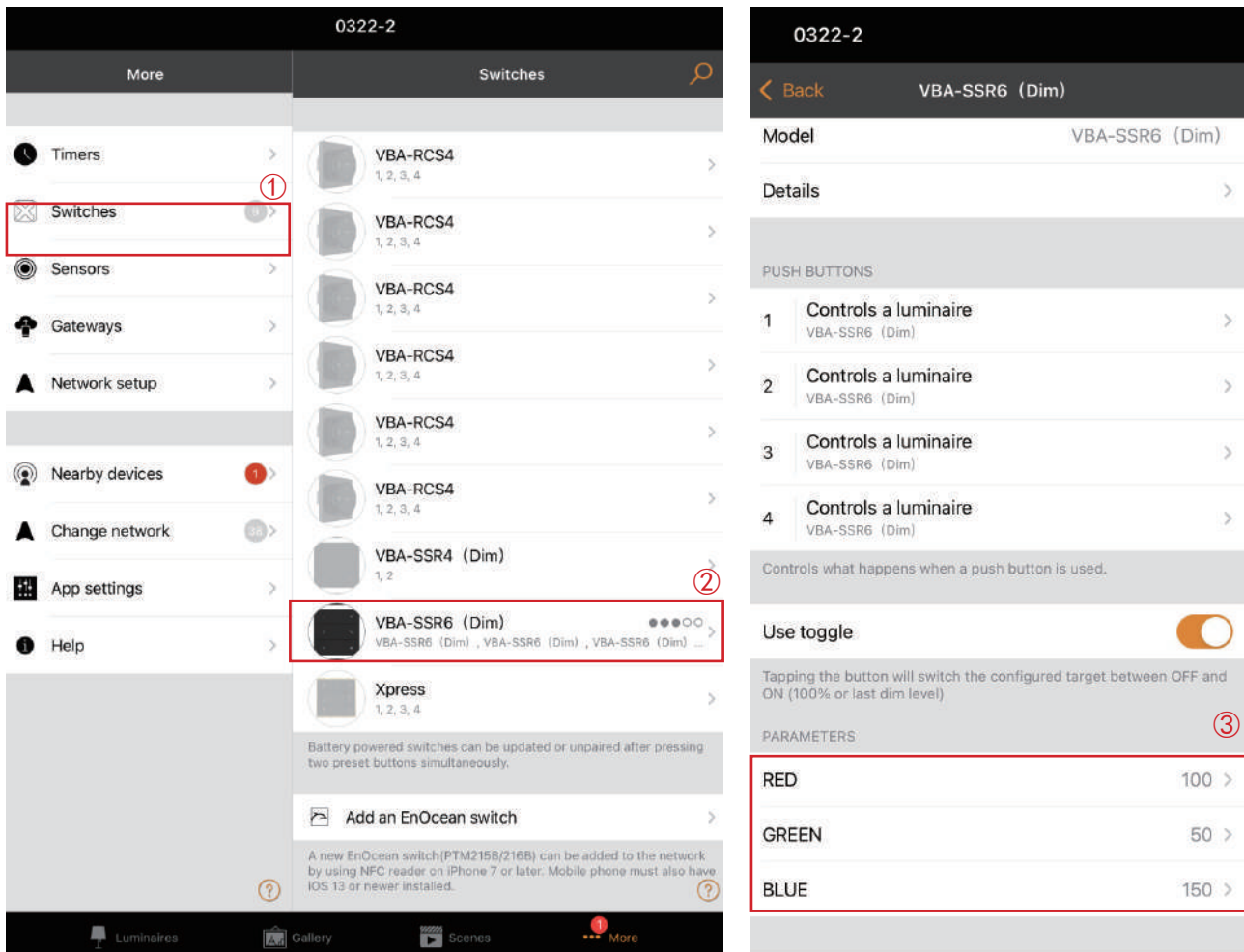


Figure 9

